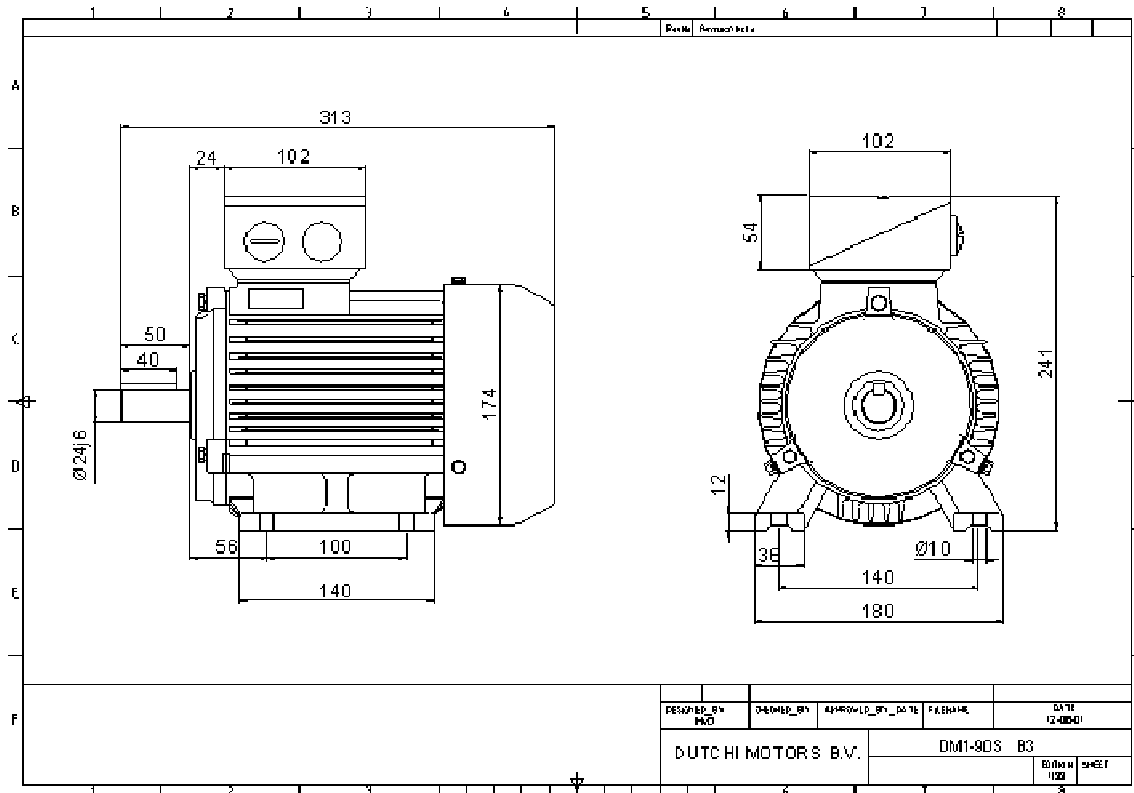




... the world is our market !



DESIGNER	DRAWN	APPROVED	DATE	FILENAME	DATE
					12-08-10
DUTCHI MOTORS B.V.			DM1-90S B3		
			REVISED	SHEET	
			100	1	

Specification **IEC60034-1**
 Manufacturer **Dutchi Motors BV**
 Motor type **DM1-IE2-90S6**
 Rated power **0,75 kW S1** Duty
 Speed **930 r.p.m.**
 Voltage **400 V**
 Frequency **50 Hz**
 Connection **Y**
 Amps full load **2,02 A**
 Amps no load **1,43 A**
 Enclosure **IP55**
 Insulation class **F (temp. rise B (80 K))**

Max coolant temp. **40 °C**
 Max altitude **1000 m above sea level**
 Comment **3 x PTC150 °C**

Feature **Cast-iron motor**
 Weight **23 kg**

Warranty **12-18 months**

Efficiency class **IE2**
 Load data 100% 75% 50% 25%
 Efficiency **76 76,8 74 63,5** %
 Power factor **0,7 0,6 0,47 0,3**

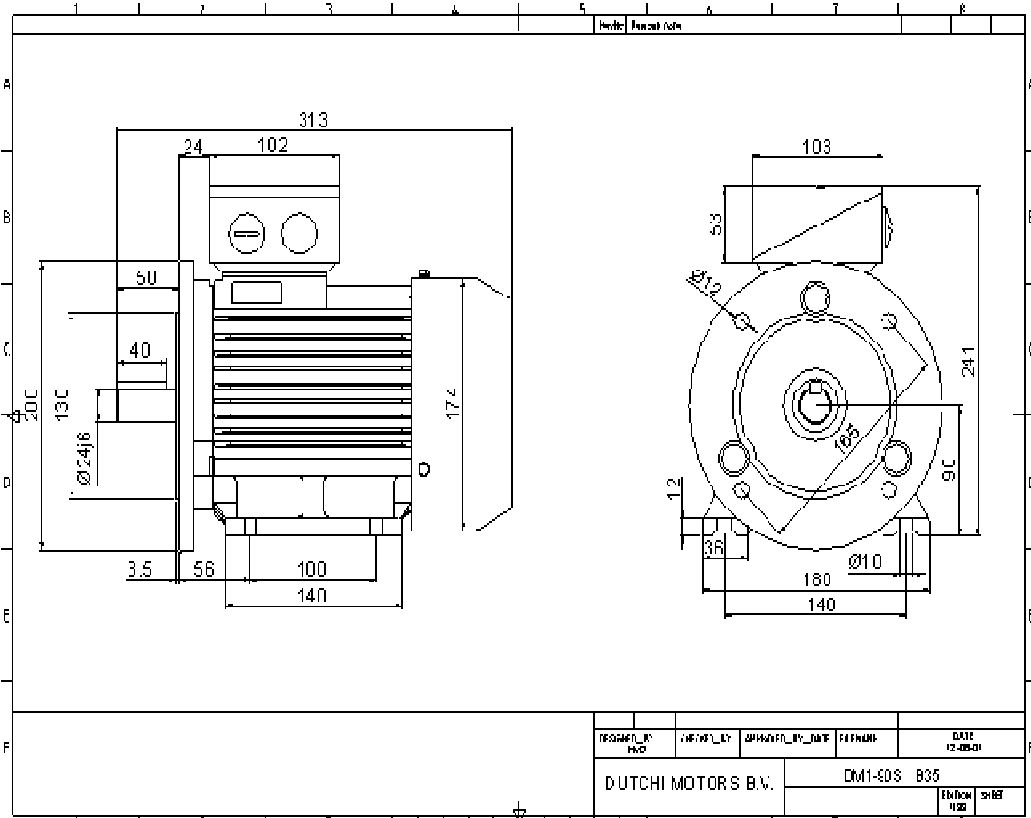
Sound pressure level(1m) **46,7 dB(A)**
 Resistance R20(open) **8987 Ω**
 Resistance R20 **Y 17974 Ω**

Full load torque **7,63 Nm**
 DOL Starting torque vs FL torque **2,22**
 DOL Pull up torque vs FL torque **1,53**
 DOL Pull out torque vs FL torque **2,71**
 Star-Delta Starting torque vs FL torque **Y-motor**
 Star-Delta Pull up torque vs FL torque **Y-motor**
 Star-Delta Pull out torque vs FL torque **Y-motor**
 DOL Starting current vs FL current **4,28**
 Star-Delta Starting current vs FL current **Y-motor**
 Rotor Inertia [J] **0,004 kgm²**

Bearing DE **6205 2RZ**
 Bearing NDE **6205 2RZ**

WI	Change	date	sign
Dutchi Motors B.V. P.O. Box 5390 NL-6802EJ Arnhem tel: +31-(0)26 - 3541 600 fax: +31-(0)26 - 3541 650		Description	date sign
		generated	31-mrt-10
		dutchi.motors@dutchi.nl www.dutchi.com	

Power is our commodity, the world is our market !



DESIGNED BY	DATE
DUTCHI MOTORS B.V.	DM1-IE2-90S6 B35
REVISED BY	DATE

Manufacturer Dutchi Motors BV
Motor type DM1-IE2-90S6
Rated power 0,75 kW S1 Duty
Speed 930 r.p.m.
Voltage 400 V
Frequency 50 Hz
Connection Y
Amps full load 2,02 A
Amps no load 1,43 A
Enclosure IP55
Insulation class F (temp. rise B (80 K))

Max coolant temp. 40 °C
Max altitude 1000 m above sea level
Comment 3 x PTC150 °C

Feature Cast-iron motor
Weight 23 kg

Warranty 12-18 months

Load data	100%	75%	50%	25%
Efficiency	76	76,8	74	63,5 %
Power factor	0,7	0,6	0,47	0,3

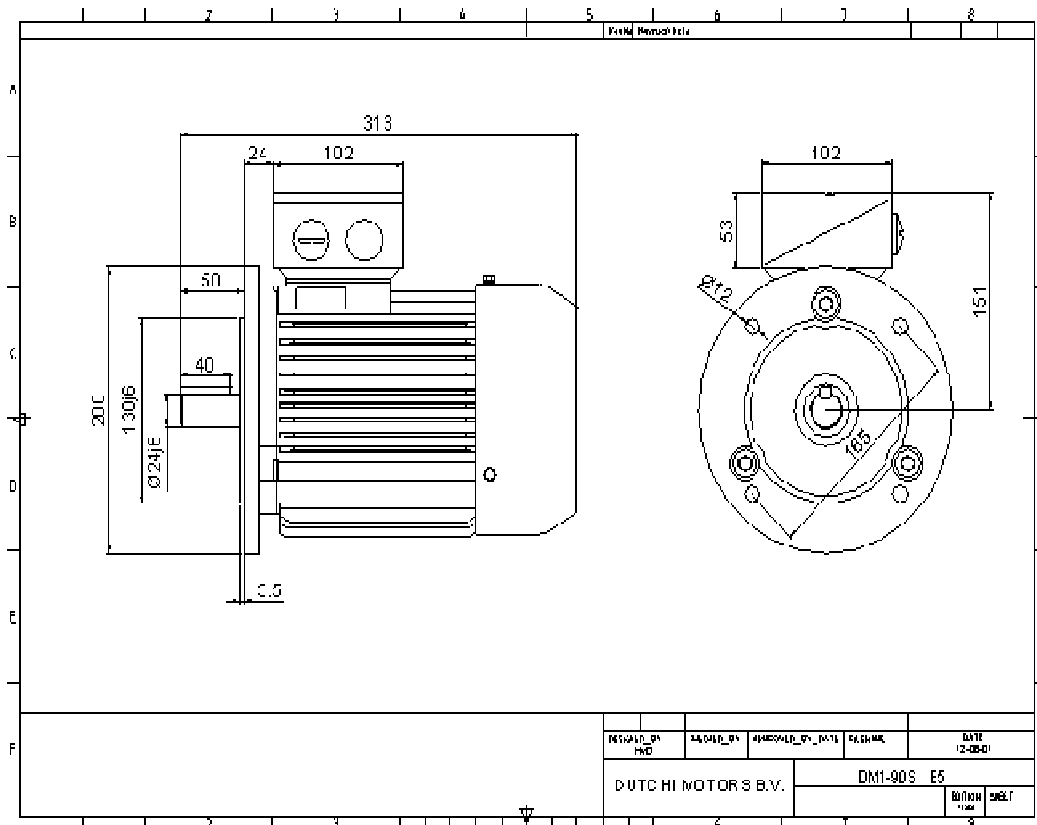
Sound pressure level(1m) 46,7 dB(A)
Resistance R20(open) 8987 Ω
Resistance R20 Y 17974 Ω

Full load torque 7,63 Nm
DOL Starting torque vs FL torque 2,22
DOL Pull up torque vs FL torque 1,53
DOL Pull out torque vs FL torque 2,71
Star-Delta Starting torque vs FL torque Y-motor
Star-Delta Pull up torque vs FL torque Y-motor
Star-Delta Pull out torque vs FL torque Y-motor
DOL Starting current vs FL current 4,28
Star-Delta Starting current vs FL current Y-motor
Rotor Inertia [J] 0,004 kgm²

Bearing DE 6205 2RZ
Bearing NDE 6205 2RZ

WI	Change	date	sign
Dutchi Motors B.V.		Description	date
P.O. Box 5390		generated	10-jun-10
NL-6802EJ Arnhem			
tel: +31-(0)26 - 3541 600		dutchi.motors@dutchi.nl	
fax: +31-(0)26 - 3541 650		www.dutchi.com	

Power is our commodity, the world is our market !



REVISIE NO	DATE	BY	CHK
1	12-08-10		
DUTCHI MOTORS B.V.		DM1-90S E5	
DRUK	10-jun-10	1	

Manufacturer Dutchi Motors BV
Motor type DM1-IE2-90S6
Rated power 0,75 kW S1 Duty
Speed 930 r.p.m.
Voltage 400 V
Frequency 50 Hz
Connection Y
Amps full load 2,02 A
Amps no load 1,43 A
Enclosure IP55
Insulation class F (temp. rise B (80 K))

Max coolant temp. 40 °C
Max altitude 1000 m above sea level
Comment 3 x PTC150 °C

Feature Cast-iron motor
Weight 23 kg

Warranty 12-18 months

Load data	100%	75%	50%	25%
Efficiency	76	76,8	74	63,5 %
Power factor	0,7	0,6	0,47	0,3

Sound pressure level(1m) 46,7 dB(A)
Resistance R20(open) 8987 Ω
Resistance R20 Y 17974 Ω

Full load torque 7,63 Nm
DOL Starting torque vs FL torque 2,22
DOL Pull up torque vs FL torque 1,53
DOL Pull out torque vs FL torque 2,71
Star-Delta Starting torque vs FL torque Y-motor
Star-Delta Pull up torque vs FL torque Y-motor
Star-Delta Pull out torque vs FL torque Y-motor
DOL Starting current vs FL current 4,28
Star-Delta Starting current vs FL current Y-motor
Rotor Inertia [J] 0,004 kgm²

Bearing DE 6205 2RZ
Bearing NDE 6205 2RZ

WI	Change	date	sign
Dutchi Motors B.V.		Description	date
P.O. Box 5390		generated	10-jun-10
NL-6802EJ Arnhem			
tel: +31-(0)26 - 3541 600		dutchi.motors@dutchi.nl	
fax: +31-(0)26 - 3541 650		www.dutchi.com	

