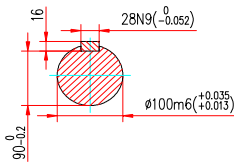
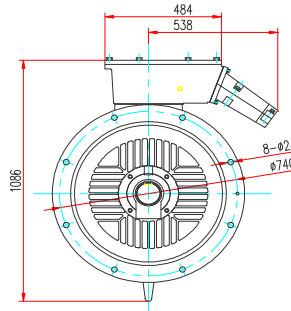
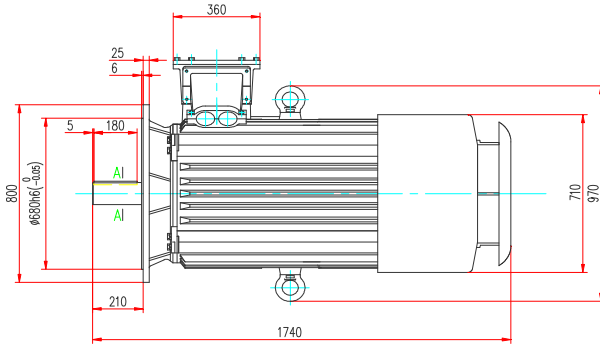








Power is our commodity, the world is our market !



|                   |                                |
|-------------------|--------------------------------|
| Specification     | <b>IEC60034-1</b>              |
| Manufacturer      | <b>Dutchi Motors BV</b>        |
| Motor type        | <b>DM1-IE2-355M6</b>           |
| Rated power       | <b>160 kW S1</b> Duty          |
| Speed             | <b>990</b> r.p.m.              |
| Voltage           | <b>400 / 690</b> V             |
| Frequency         | <b>50</b> Hz                   |
| Connection        | <b>Δ / Y</b>                   |
| Amps full load    | <b>278 / 160</b> A             |
| Amps no load      | <b>92,7</b> A                  |
| Enclosure         | <b>IP55</b>                    |
| Insulation class  | <b>F (temp. rise B (80 K))</b> |
| Max coolant temp. | <b>40</b> °C                   |
| Max altitude      | <b>1000</b> m above sea level  |
| Comment           | <b>3 x PTC150 °C</b>           |
| Feature           | <b>Cast-iron motor</b>         |
| Weight            | <b>1690</b> kg                 |
| Warranty          | <b>12~18 months</b>            |

|   |                              |             |             |               |
|---|------------------------------|-------------|-------------|---------------|
| Efficiency class                          | <b>IE2</b>                   |             |             |               |
| Load data                                 | 100%                         | 75%         | 50%         | 25%           |
| Efficiency                                | <b>95</b>                    | <b>95</b>   | <b>94,2</b> | <b>90,7</b> % |
| Power factor                              | <b>0,87</b>                  | <b>0,84</b> | <b>0,75</b> | <b>0,55</b>   |
| Sound pressure level(1m)                  | <b>68,5</b> dB(A)            |             |             |               |
| Resistance R20(open)                      | <b>0,019</b> Ω               |             |             |               |
| Resistance R20                            | <b>Δ 0,013</b> Ω             |             |             |               |
| Full load torque                          | <b>1539</b> Nm               |             |             |               |
| DOL Starting torque vs FL torque          | <b>2,01</b>                  |             |             |               |
| DOL Pull up torque vs FL torque           | <b>1,57</b>                  |             |             |               |
| DOL Pull out torque vs FL torque          | <b>3,51</b>                  |             |             |               |
| Star-Delta Starting torque vs FL torque   | <b>0,62</b>                  |             |             |               |
| Star-Delta Pull up torque vs FL torque    | <b>0,49</b>                  |             |             |               |
| Star-Delta Pull out torque vs FL torque   | <b>1,09</b>                  |             |             |               |
| DOL Starting current vs FL current        | <b>7,17</b>                  |             |             |               |
| Star-Delta Starting current vs FL current | <b>2,24</b>                  |             |             |               |
| Rotor Inertia [J]                         | <b>9,76</b> kgm <sup>2</sup> |             |             |               |
| Bearing DE                                | <b>6322 C3</b>               |             |             |               |
| Bearing NDE                               | <b>6320 C3</b>               |             |             |               |

|  |
|--|
|  |
|  |
|  |
|  |
|  |
|  |
|  |
|  |
|  |
|  |
|  |

|   |        |   |           |      |
|---|--------|---|-----------|------|
| WI  | Change |   | date      | sign |
|   |        |   |           |      |
| Dutchi Motors B.V.<br>P.O. Box 5390<br>NL-6802EJ Arnhem<br>tel: +31-(0)26 - 3541 600<br>fax: +31-(0)26 - 3541 650 |        | Description                               | date      | sign |
|   |        | generated                                 | 11-jun-10 |      |
|   |        | dutchi.motors@dutchi.nl<br>www.dutchi.com |           |      |