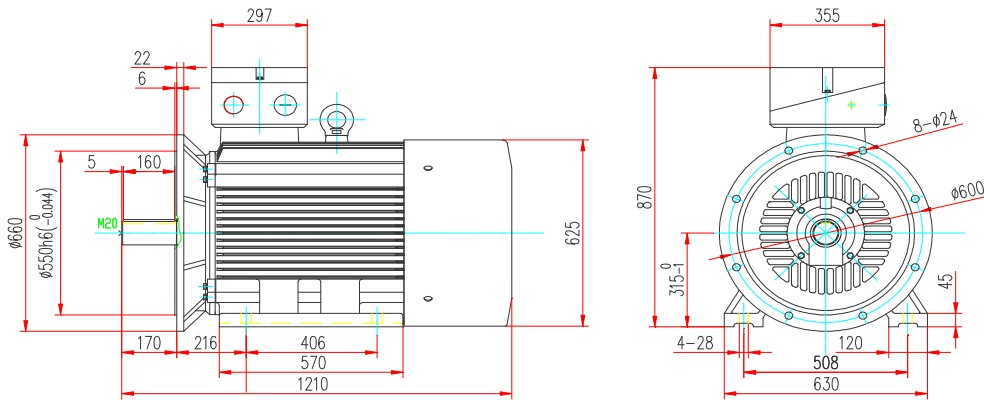




Power is our commodity, the world is our market !

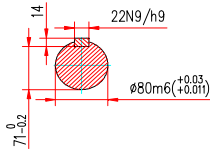
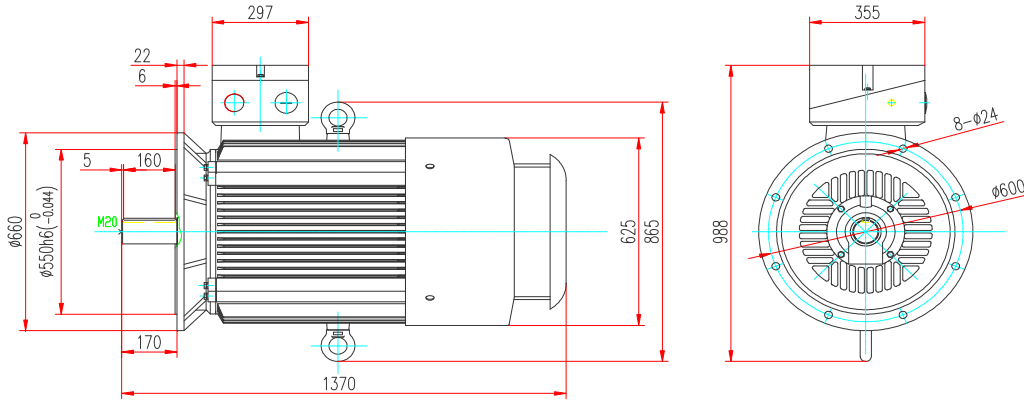


Specification	IEC60034-1
Manufacturer	Dutchi Motors BV
Motor type	DM1-IE2-315S6
Rated power	75 kW S1 Duty
Speed	985 r.p.m.
Voltage	400 / 690 V
Frequency	50 Hz
Connection	Δ / Y
Amps full load	131 / 75,9 A
Amps no load	43,3 A
Enclosure	IP55
Insulation class	F (temp. rise B (80 K))
Max coolant temp.	40 °C
Max altitude	1000 m above sea level
Comment	3 x PTC150 °C
Feature	Cast-iron motor
Weight	861 kg
Warranty	12~18 months

Efficiency class	IE2			
Load data	100%	75%	50%	25%
Efficiency	94,1	94,2	93,5	90,1 %
Power factor	0,87	0,83	0,74	0,55
Sound pressure level(1m)	66,6 dB(A)			
Resistance R20(open)	0,057 Ω			
Resistance R20	Δ 0,038 Ω			
Full load torque	723 Nm			
DOL Starting torque vs FL torque	2,21			
DOL Pull up torque vs FL torque	1,57			
DOL Pull out torque vs FL torque	3,08			
Star-Delta Starting torque vs FL torque	0,69			
Star-Delta Pull up torque vs FL torque	0,49			
Star-Delta Pull out torque vs FL torque	0,96			
DOL Starting current vs FL current	6,67			
Star-Delta Starting current vs FL current	2,08			
Rotor Inertia [J]	3,63 kgm ²			
Bearing DE	6319 C3			
Bearing NDE	6319 C3			

WI	Change		date	sign
Dutchi Motors B.V. P.O. Box 5390 NL-6802EJ Arnhem tel: +31-(0)26 - 3541 600 fax: +31-(0)26 - 3541 650		Description	date	sign
		generated	10-jun-10	
		dutchi.motors@dutchi.nl www.dutchi.com		

Power is our commodity, the world is our market !



Specification	IEC60034-1
Manufacturer	Dutchi Motors BV
Motor type	DM1-IE2-315S6
Rated power	75 kW S1 Duty
Speed	985 r.p.m.
Voltage	400 / 690 V
Frequency	50 Hz
Connection	Δ / Y
Amps full load	131 / 75,9 A
Amps no load	43,3 A
Enclosure	IP55
Insulation class	F (temp. rise B (80 K))

Max coolant temp.	40 °C
Max altitude	1000 m above sea level
Comment	3 x PTC150 °C

Feature	Cast-iron motor
Weight	861 kg

Warranty **12~18 months**

Efficiency class	IE2			
Load data	100%	75%	50%	25%
Efficiency	94,1	94,2	93,5	90,1 %
Power factor	0,87	0,83	0,74	0,55

Sound pressure level(1m)	66,6 dB(A)
Resistance R20(open)	0,057 Ω
Resistance R20	Δ 0,038 Ω

Full load torque	723 Nm
DOL Starting torque vs FL torque	2,21
DOL Pull up torque vs FL torque	1,57
DOL Pull out torque vs FL torque	3,08
Star-Delta Starting torque vs FL torque	0,69
Star-Delta Pull up torque vs FL torque	0,49
Star-Delta Pull out torque vs FL torque	0,96
DOL Starting current vs FL current	6,67
Star-Delta Starting current vs FL current	2,08
Rotor Inertia [J]	3,63 kgm ²

Bearing DE	6319 C3
Bearing NDE	6319 C3

WI	Change	date	sign
Dutchi Motors B.V.		Description	date
P.O. Box 5390		generated	11-jun-10
NL-6802EJ Arnhem			
tel: +31-(0)26 - 3541 600		dutchi.motors@dutchi.nl	
fax: +31-(0)26 - 3541 650		www.dutchi.com	