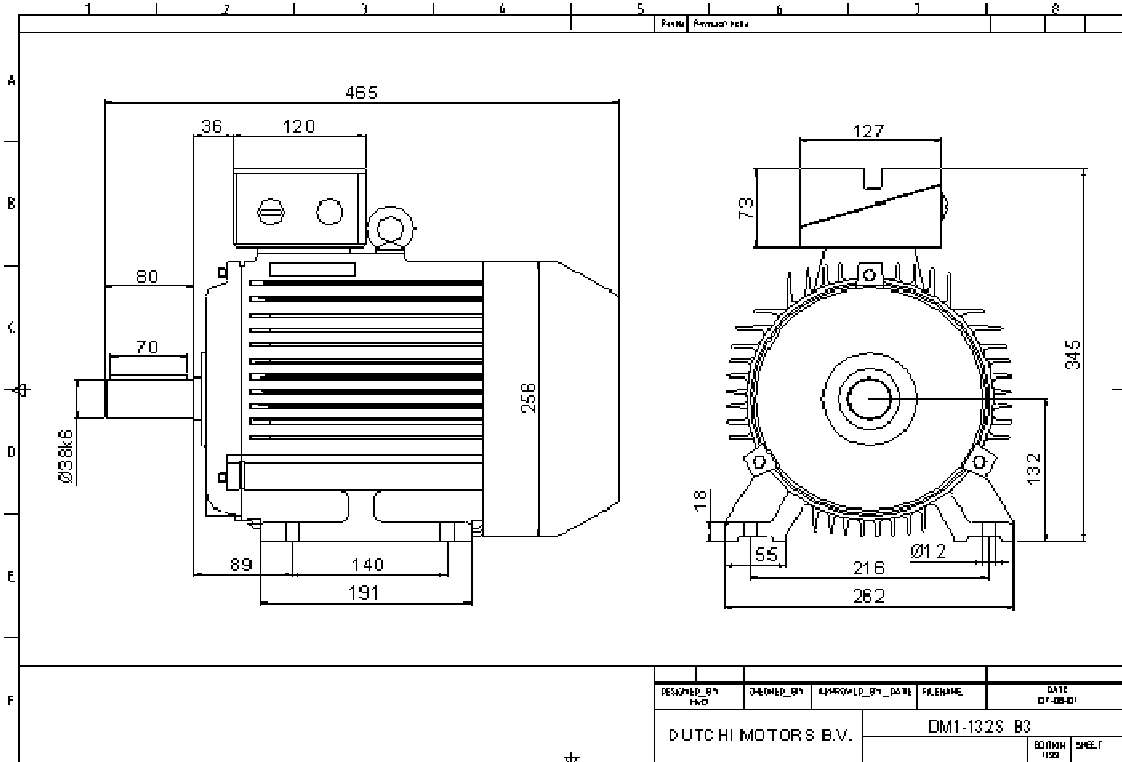




Power is our commodity, the world is our market !



Specification **IEC60034-1**
 Manufacturer **Dutchi Motors BV**
 Motor type **DM1-IE2-132S6**
 Rated power **3 kW S1** Duty
 Speed **965 r.p.m.**
 Voltage **400 V**
 Frequency **50 Hz**
 Connection **Y**
 Amps full load **6,51 A**
 Amps no load **3,45 A**
 Enclosure **IP55**
 Insulation class **F (temp. rise B (80 K))**

Max coolant temp. **40 °C**
 Max altitude **1000 m above sea level**
 Comment **3 x PTC150 °C**

Feature **Cast-iron motor**
 Weight **56 kg**

Warranty **12-18 months**

Efficiency class **IE2**
 Load data 100% 75% 50% 25%
 Efficiency **83,4 84 82,6 74,3** %
 Power factor **0,79 0,73 0,61 0,38**

Sound pressure level(1m) **56,6 dB(A)**
 Resistance R20(open) **1681 Ω**
 Resistance R20 **Y 3363 Ω**

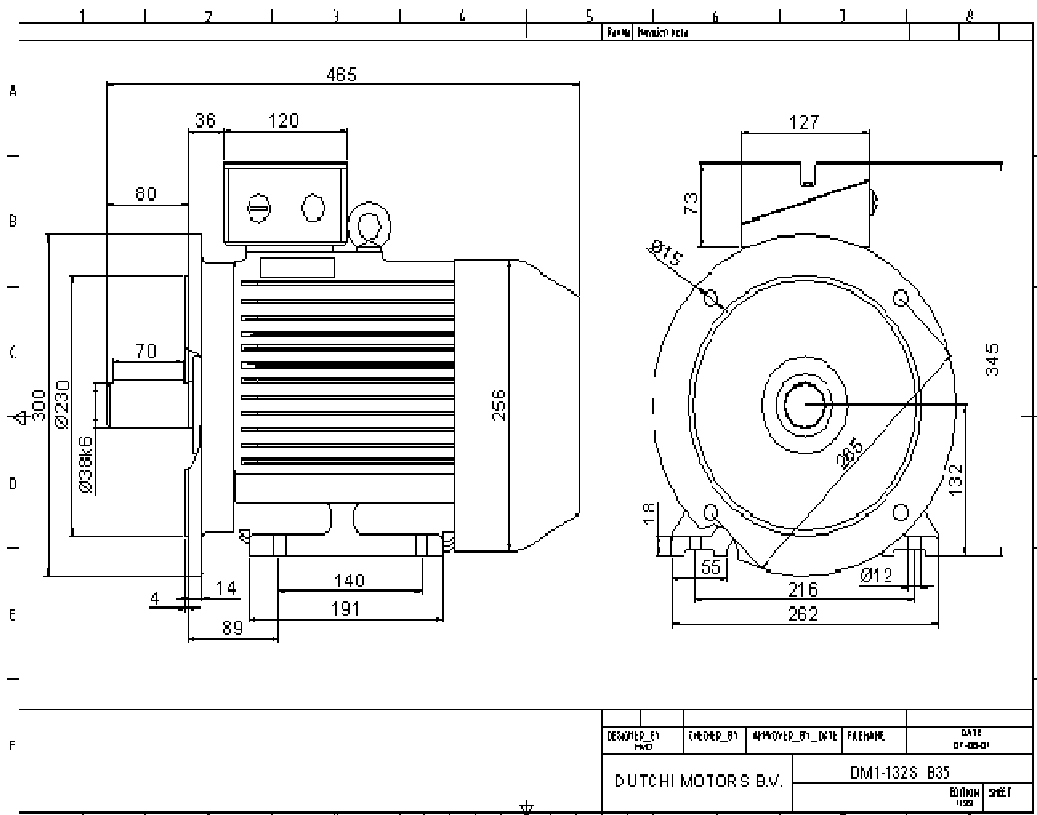
Full load torque **39,5 Nm**
 DOL Starting torque vs FL torque **2,26**
 DOL Pull up torque vs FL torque **1,61**
 DOL Pull out torque vs FL torque **3,01**
 Star-Delta Starting torque vs FL torque **Y-motor**
 Star-Delta Pull up torque vs FL torque **Y-motor**
 Star-Delta Pull out torque vs FL torque **Y-motor**
 DOL Starting current vs FL current **6,65**
 Star-Delta Starting current vs FL current **Y-motor**
 Rotor Inertia [J] **0,035 kgm²**

Bearing DE **6308 2RZ**
 Bearing NDE **6308 2RZ**

WI	Change	date	sign
Dutchi Motors B.V. P.O. Box 5390 NL-6802EJ Arnhem tel: +31-(0)26 - 3541 600 fax: +31-(0)26 - 3541 650		Description generated	date 31-mrt-10
		dutchi.motors@dutchi.nl www.dutchi.com	



Power is our commodity, the world is our market !



DESIGNED BY	ENGINEER BY	APPROVED BY	DATE
DUTCHI MOTORS B.V.		DM1-132S B35	
		EDITION	SHEET
		1/20	1/1

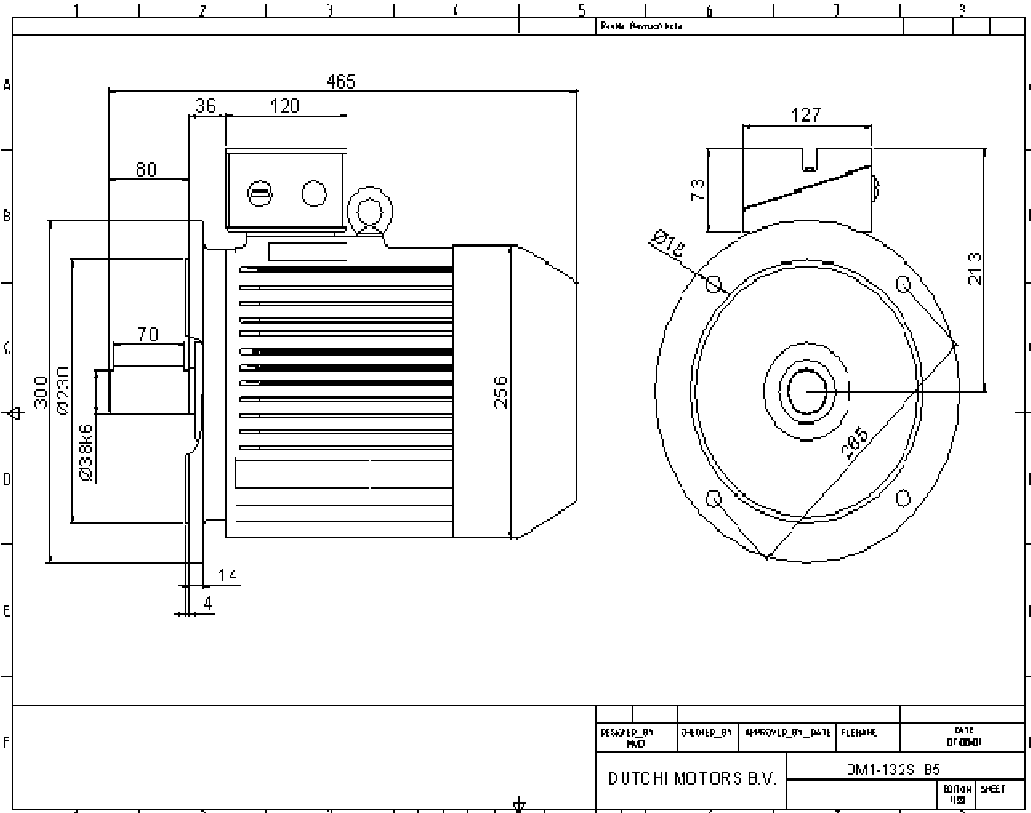
Manufacturer	Dutchi Motors BV
Motor type	DM1-IE2-132S6
Rated power	3 kW S1 Duty
Speed	965 r.p.m.
Voltage	400 V
Frequency	50 Hz
Connection	Y
Amps full load	6,51 A
Amps no load	3,45 A
Enclosure	IP55
Insulation class	F (temp. rise B (80 K))
Max coolant temp.	40 °C
Max altitude	1000 m above sea level
Comment	3 x PTC150 °C
Feature	Cast-iron motor
Weight	56 kg
Warranty	12-18 months

Load data	100%	75%	50%	25%	
Efficiency	83,4	84	82,6	74,3	%
Power factor	0,79	0,73	0,61	0,38	
Sound pressure level(1m)					56,6 dB(A)
Resistance R20(open)					1681 Ω
Resistance R20					Y 3363 Ω
Full load torque					39,5 Nm
DOL Starting torque vs FL torque					2,26
DOL Pull up torque vs FL torque					1,61
DOL Pull out torque vs FL torque					3,01
Star-Delta Starting torque vs FL torque					Y-motor
Star-Delta Pull up torque vs FL torque					Y-motor
Star-Delta Pull out torque vs FL torque					Y-motor
DOL Starting current vs FL current					6,65
Star-Delta Starting current vs FL current					Y-motor
Rotor Inertia [J]					0,035 kgm ²
Bearing DE					6308 2RZ
Bearing NDE					6308 2RZ

WI	Change	date	sign
Dutchi Motors B.V.		Description	date
P.O. Box 5390		generated	10-jun-10
NL-6802EJ Arnhem			
tel: +31-(0)26 - 3541 600		dutchi.motors@dutchi.nl	
fax: +31-(0)26 - 3541 650		www.dutchi.com	



Power is our commodity, the world is our market !



DESIGNED BY	DRAWN BY	APPROVED BY	FILENAME	DATE OF ISSUE
DUTCHI MOTORS B.V.		DM1-132S B5		
		SHEET		

Manufacturer Dutchi Motors BV
Motor type DM1-IE2-132S6
Rated power 3 kW S1 Duty
Speed 965 r.p.m.
Voltage 400 V
Frequency 50 Hz
Connection Y
Amps full load 6,51 A
Amps no load 3,45 A
Enclosure IP55
Insulation class F (temp. rise B (80 K))

Max coolant temp. 40 °C
Max altitude 1000 m above sea level
Comment 3 x PTC150 °C

Feature Cast-iron motor
Weight 56 kg

Warranty 12~18 months

Load data	100%	75%	50%	25%	
Efficiency	83,4	84	82,6	74,3	%
Power factor	0,79	0,73	0,61	0,38	

Sound pressure level(1m) 56,6 dB(A)
Resistance R20(open) 1681 Ω
Resistance R20 Y 3363 Ω

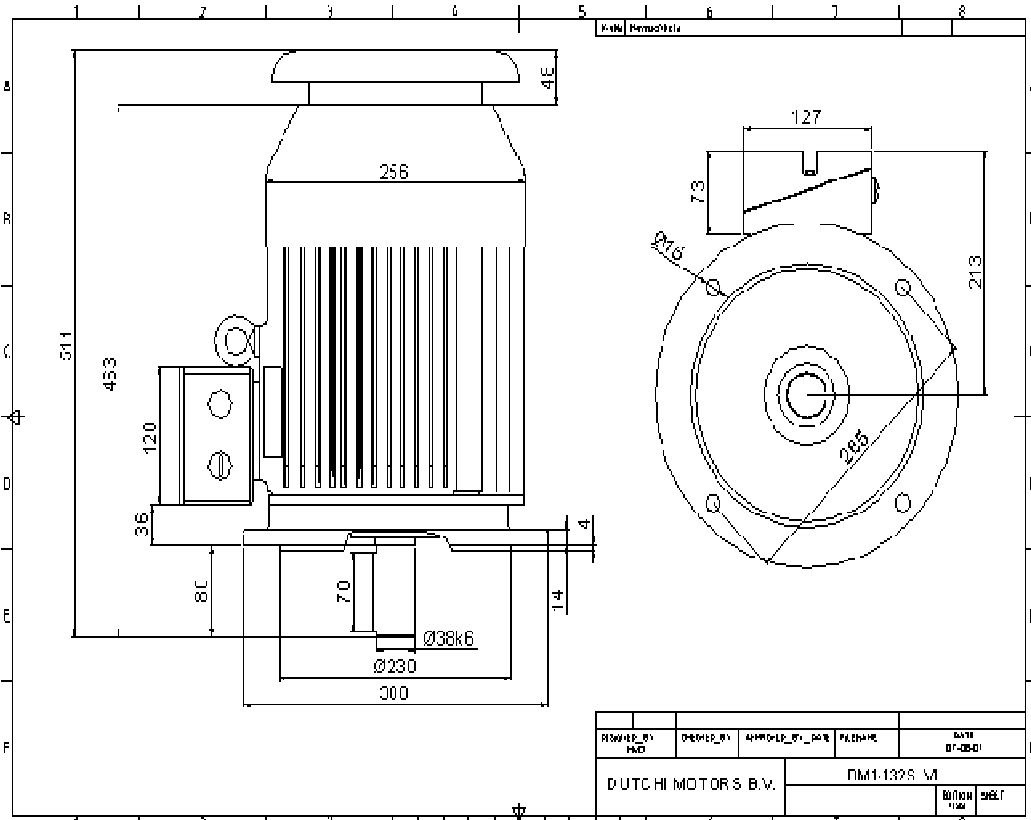
Full load torque 39,5 Nm
DOL Starting torque vs FL torque 2,26
DOL Pull up torque vs FL torque 1,61
DOL Pull out torque vs FL torque 3,01
Star-Delta Starting torque vs FL torque Y-motor
Star-Delta Pull up torque vs FL torque Y-motor
Star-Delta Pull out torque vs FL torque Y-motor
DOL Starting current vs FL current 6,65
Star-Delta Starting current vs FL current Y-motor
Rotor Inertia [J] 0,035 kgm²

Bearing DE 6308 2RZ
Bearing NDE 6308 2RZ

WI	Change	date	sign
Dutchi Motors B.V. P.O. Box 5390 NL-6802EJ Arnhem tel: +31-(0)26 - 3541 600 fax: +31-(0)26 - 3541 650		Description generated	date 10-jun-10
		dutchi.motors@dutchi.nl www.dutchi.com	



Power is our commodity, the world is our market !



Manufacturer **Dutchi Motors BV**
 Motor type **DM1-IE2-132S6**
 Rated power **3 kW S1** Duty
 Speed **965** r.p.m.
 Voltage **400 V**
 Frequency **50 Hz**
 Connection **Y**
 Amps full load **6,51 A**
 Amps no load **3,45 A**
 Enclosure **IP55**
 Insulation class **F (temp. rise B (80 K))**

Max coolant temp. **40 °C**
 Max altitude **1000 m** above sea level
 Comment **3 x PTC150 °C**

Feature **Cast-iron motor**
 Weight **56 kg**

Warranty **12-18 months**

Load data	100%	75%	50%	25%	
Efficiency	83,4	84	82,6	74,3	%
Power factor	0,79	0,73	0,61	0,38	

Sound pressure level(1m)	56,6 dB(A)
Resistance R20(open)	1681 Ω
Resistance R20	Y 3363 Ω

Full load torque	39,5 Nm
DOL Starting torque vs FL torque	2,26
DOL Pull up torque vs FL torque	1,61
DOL Pull out torque vs FL torque	3,01
Star-Delta Starting torque vs FL torque	Y-motor
Star-Delta Pull up torque vs FL torque	Y-motor
Star-Delta Pull out torque vs FL torque	Y-motor
DOL Starting current vs FL current	6,65
Star-Delta Starting current vs FL current	Y-motor
Rotor Inertia [J]	0,035 kgm ²

Bearing DE	6308 2RZ
Bearing NDE	6308 2RZ

WI	Change	date	sign
Dutchi Motors B.V. P.O. Box 5390 NL-6802EJ Arnhem tel: +31-(0)26 - 3541 600 fax: +31-(0)26 - 3541 650		Description generated	date 10-jun-10
		dutchi.motors@dutchi.nl www.dutchi.com	