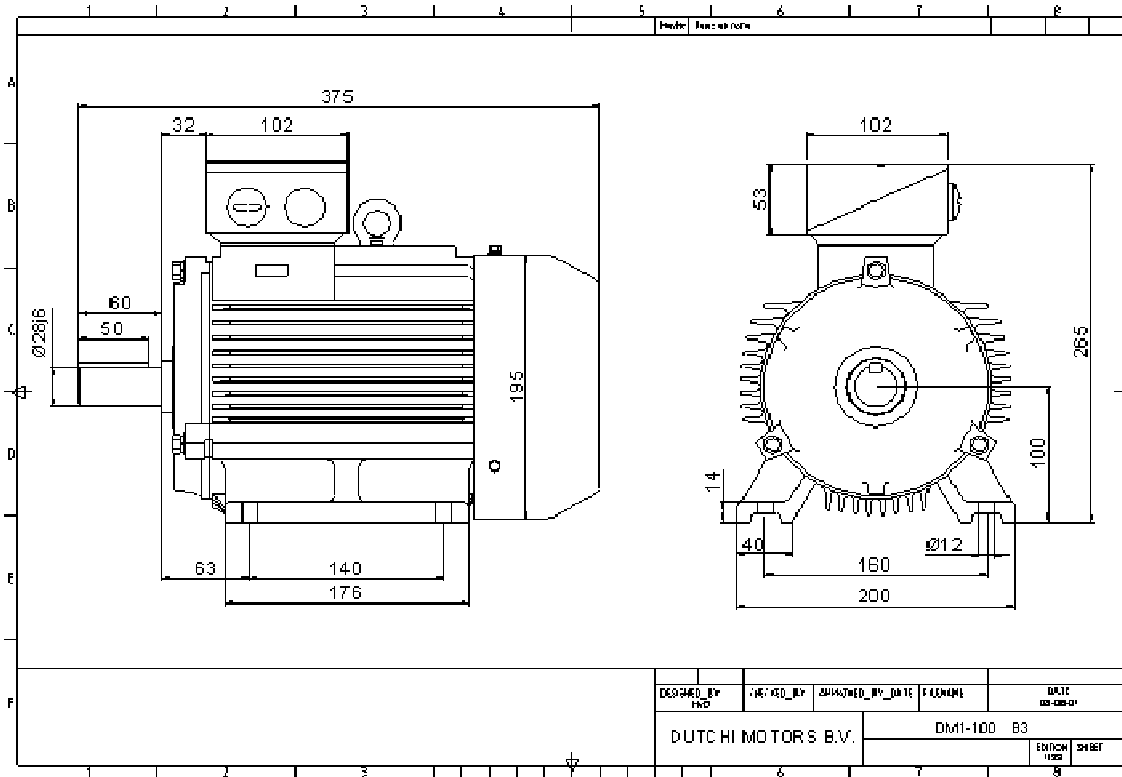


commodity the world is our market !



DESIGNED BY Pvd	CHECKED BY	APPROVED BY DATE	FUNCTION	DUTCH 03-08-01
DUTCHI MOTORS B.V.			DM1-100 B3	ENTRICH 1/2011

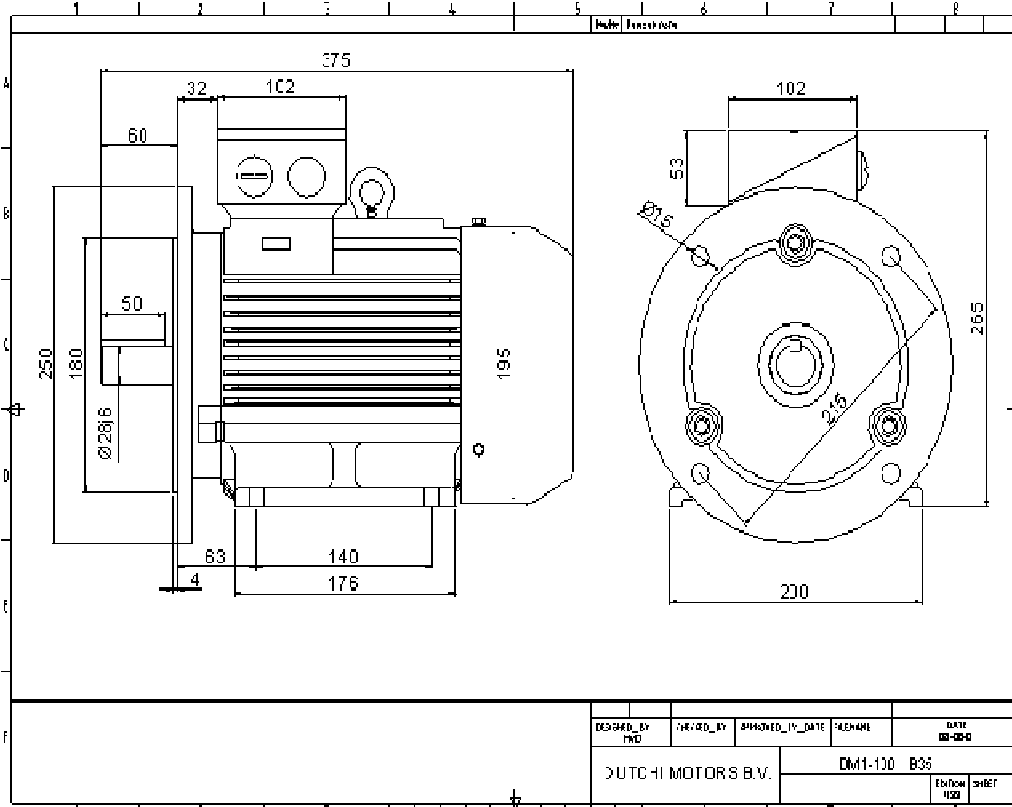
Specification	<b>IEC60034-1</b>
Manufacturer	<b>Dutchi Motors BV</b>
Motor type	<b>DM1-IE2-100L6</b>
Rated power	<b>1,5 kW S1</b> Duty
Speed	<b>920 r.p.m.</b>
Voltage	<b>400 V</b>
Frequency	<b>50 Hz</b>
Connection	<b>Y</b>
Amps full load	<b>3,49 A</b>
Amps no load	<b>2,14 A</b>
Enclosure	<b>IP55</b>
Insulation class	<b>F (temp. rise B (80 K))</b>
Max coolant temp.	<b>40 °C</b>
Max altitude	<b>1000 m above sea level</b>
Comment	<b>3 x PTC150 °C</b>
Feature	<b>Cast-iron motor</b>
Weight	<b>33 kg</b>
Warranty	<b>12-18 months</b>

Efficiency class	<b>IE2</b>
Load data	100% 75% 50% 25%
Efficiency	<b>79,8 80,6 78,3 69,5</b> %
Power factor	<b>0,77 0,69 0,55 0,35</b>
Sound pressure level(1m)	<b>49,8 dB(A)</b>
Resistance R20(open)	<b>3593 Ω</b>
Resistance R20	<b>Y 7186 Ω</b>
Full load torque	<b>15,3 Nm</b>
DOL Starting torque vs FL torque	<b>2,76</b>
DOL Pull up torque vs FL torque	<b>1,88</b>
DOL Pull out torque vs FL torque	<b>3,22</b>
Star-Delta Starting torque vs FL torque	<b>Y-motor</b>
Star-Delta Pull up torque vs FL torque	<b>Y-motor</b>
Star-Delta Pull out torque vs FL torque	<b>Y-motor</b>
DOL Starting current vs FL current	<b>5,96</b>
Star-Delta Starting current vs FL current	<b>Y-motor</b>
Rotor Inertia [J]	<b>0,011 kgm<sup>2</sup></b>
Bearing DE	<b>6206 2RZ</b>
Bearing NDE	<b>6206 2RZ</b>


WI	Change	date	sign
Dutchi Motors B.V. P.O. Box 5390 NL-6802EJ Arnhem tel: +31-(0)26 - 3541 600 fax: +31-(0)26 - 3541 650		Description	date sign
		generated	31-mrt-10
		dutchi.motors@dutchi.nl www.dutchi.com	



Power is our commodity, the world is our market !



Manufacturer **Dutchi Motors BV**  
 Motor type **DM1-IE2-100L6**  
 Rated power **1,5 kW S1** Duty  
 Speed **920 r.p.m.**  
 Voltage **400 V**  
 Frequency **50 Hz**  
 Connection **Y**  
 Amps full load **3,49 A**  
 Amps no load **2,14 A**  
 Enclosure **IP55**  
 Insulation class **F (temp. rise B (80 K))**

Max coolant temp. **40 °C**  
 Max altitude **1000 m above sea level**  
 Comment **3 x PTC150 °C**

Feature **Cast-iron motor**  
 Weight **33 kg**

Warranty **12-18 months**

Load data	100%	75%	50%	25%	
Efficiency	<b>79,8</b>	<b>80,6</b>	<b>78,3</b>	<b>69,5</b>	%
Power factor	<b>0,77</b>	<b>0,69</b>	<b>0,55</b>	<b>0,35</b>	

Sound pressure level(1m) **49,8 dB(A)**  
 Resistance R20(open) **3593 Ω**  
 Resistance R20 **Y 7186 Ω**

Full load torque **15,3 Nm**  
 DOL Starting torque vs FL torque **2,76**  
 DOL Pull up torque vs FL torque **1,88**  
 DOL Pull out torque vs FL torque **3,22**  
 Star-Delta Starting torque vs FL torque **Y-motor**  
 Star-Delta Pull up torque vs FL torque **Y-motor**  
 Star-Delta Pull out torque vs FL torque **Y-motor**  
 DOL Starting current vs FL current **5,96**  
 Star-Delta Starting current vs FL current **Y-motor**  
 Rotor Inertia [J] **0,011 kgm²**

Bearing DE **6206 2RZ**  
 Bearing NDE **6206 2RZ**


WI	Change	date	sign
Dutchi Motors B.V.		Description	date
P.O. Box 5390		generated	10-jun-10
NL-6802EJ Arnhem			
tel: +31-(0)26 - 3541 600		dutchi.motors@dutchi.nl	
fax: +31-(0)26 - 3541 650		www.dutchi.com	



