



Technischer Katalog

Schneckengetriebe Serie CM



RIDUTTORI A VITE SENZA FINE CM WORMGEARBOXES CM



Indice	Index	Pag. Page
Caratteristiche tecniche	<i>Technical characteristics</i>	D2
Designazione	<i>Designation</i>	D2
Versioni	<i>Versions</i>	D2
Simbologia	<i>Symbols</i>	D3
Posizioni di montaggio	<i>Mounting positions</i>	D3
Carichi radiali	<i>Radial loads</i>	D4
Dati di dentatura	<i>Toothing data</i>	D5
Rendimento	<i>Efficiency</i>	D5
Dati tecnici	<i>Technical data</i>	D6
Motori applicabili	<i>IEC Motor adapters</i>	D12
Dimensioni	<i>Dimensions</i>	D13
Accessori	<i>Accessories</i>	D24
Opzioni	<i>Options</i>	D24

Caratteristiche tecniche

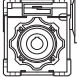
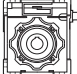


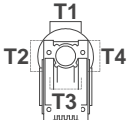
Technical characteristics

I riduttori a vite senza fine della serie CM hanno le seguenti caratteristiche principali: *CM wormgearboxes have the following characteristics:*

- Le grandezze 030, 040, 050, 063, 075 e 090 sono costruite con carcassa pressofusa in Alluminio, le altre grandezze in ghisa.
- Tutte le grandezze sono fornite complete di lubrificante sintetico viscosità 320 cst a lunga durata.
- Le grandezze 075, 090, 110 e 130 sono fornite con cuscinetti a rulli conici sulla vite.
- *The frames 030, 040, 050, 063, 075 and 090 are constructed with the body diecast in Aluminum, larger sizes are made of cast iron.*
- *All sizes are complete with a long life synthetic lubricant, viscosity 320 cst.*
- *The frames 075, 090, 110 and 130 are supplied with tapered roller bearings on the worm.*

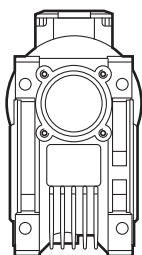
Designazione

Designation

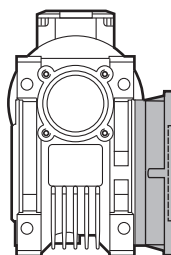
RIDUTTORE / GEARBOX								MOTORE / MOTOR				
CM	050	FD	20	P71	B5	B3	—	71B4	B5	230/400	50Hz	T1
Tipo Type	Grandezza Size	Versione Version	Rapporto Ratio	IEC	Forma costruttiva Version	Pos. di montaggio Mounting position	Opzioni Options	Grandezza Size	Forma costruttiva Version	Tensione Voltage	Frequenza Frequency	Pos. morsettiera Terminal box pos.
 CM  CMIS	030 040 050 063 075 090 110 130	U FD FS FBD FBS FLD FLS	vedi tabelle <i>see tables</i>	 56.. — 132..	B5 B14	B3 B6 B7 B8 V5 V6	VS PC	 56.. — 132..	B5 B14	—	50Hz 60Hz	T1 T2 T3 T4 

Versioni

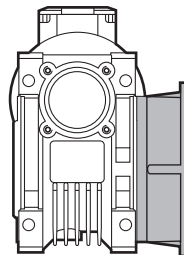
Versions



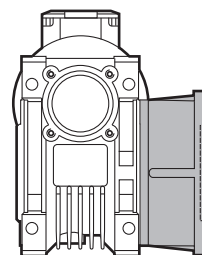
U



F



FB



FL

Simbologia

Symbols

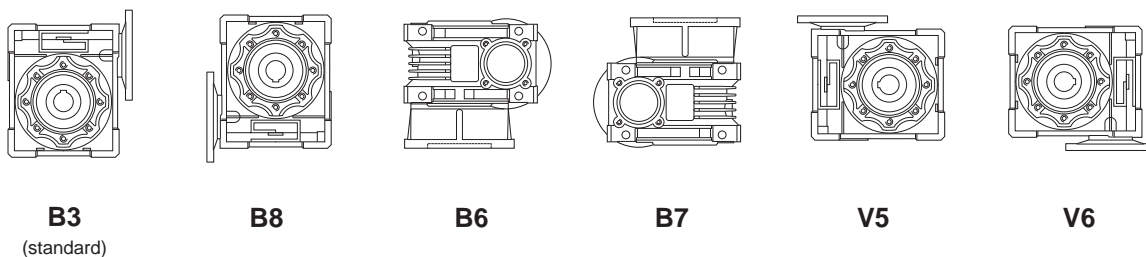
n_1	[min ⁻¹]	Velocità in ingresso / <i>Input speed</i>
n_2	[min ⁻¹]	Velocità in uscita / <i>Output speed</i>
i		Rapporto di riduzione / <i>Ratio</i>
P_1	[kW]	Potenza in entrata / <i>Input power</i>
M_n	[Nm]	Coppia nominale in uscita / <i>Nominal output torque</i>
M_2	[Nm]	Coppia in uscita in funzione di P_1 / <i>Output torque referred to P_1</i>

sf		Fattore di servizio / <i>Service factor</i>
R_d	%	Rendimento dinamico / <i>Dynamic efficiency</i>
R_s	%	Rendimento statico / <i>Static efficiency</i>
R_2	[N]	Carico radiale ammissibile in uscita / <i>Permitted output radial load</i>
Z		Numero di principi della vite / <i>Worm starts</i>
β		Angolo d'elica / <i>Helix angle</i>

Posizioni di montaggio

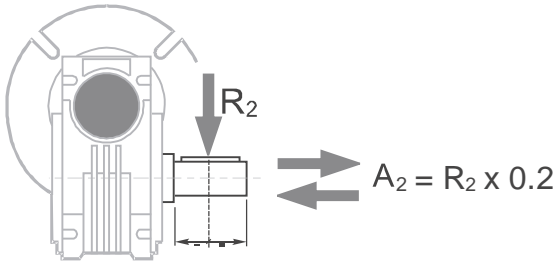
Mounting positions

Posizioni di montaggio / Mounting positions



	Quantità di olio (litri) / <i>Oil quantity (liters)</i>					
	B3	B8	B6	B7	V5	V6
CM030	0.04					
CM040	0.08					
CM050	0.15					
CM063	0.30					
CM075	0.55					
CM090	1.0					
CM110	3.0	2.2	2.5	2.5	3.0	2.2
CM130	4.5	3.3	3.5	3.5	4.5	3.3

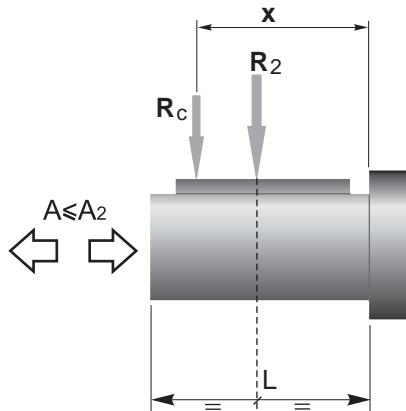
Lubrificati a vita
Life lubricated



n_2 [min ⁻¹]	R_2 [N]							
	CM030	CM040	CM050	CM063	CM075	CM090	CM110	CM130
187	674	1264	1770	2445	2824	3161	5058	5732
140	743	1392	1949	2692	3110	3481	5570	6313
93	851	1596	2234	3085	3564	3990	6384	7235
70	936	1754	2456	3392	3918	4386	7018	7953
56	1008	1890	2646	3654	4221	4725	7560	8567
47	1069	2004	2805	3874	4475	5009	8014	9083
35	1179	2210	3095	4273	4937	5526	8842	10021
28	1270	2381	3334	4603	5318	5953	9524	10794
23	1356	2542	3559	4915	5678	6356	10170	11526
18	1471	2759	3862	5334	6162	6897	11036	12507
14	1600	3000	4200	5800	6700	7500	12000	13600

Quando il carico radiale risultante non è applicato sulla mezzzeria dell'albero occorre calcolare quello effettivo con la seguente formula:

When the resulting radial load is not applied on the centre line of the shaft it is necessary to calculate the effective load with the following formula:



$$R_c = \frac{R_2 \cdot a}{(b + x)} \leq R_{2MAX}$$

$$R \leq R_c$$

a, b = valori riportati nella tabella
a, b = values given in the table

	CM							
	030	040	050	063	075	090	110	130
a	65	84	101	120	131	182	176	188
b	50	64	76	95	101	122	136	148
R_{2MAX}	1600	3000	4200	5800	6700	7500	12000	13600

Dati di dentatura

Toothing data

	Dati della Coppia vite-Corona Worm wheel data	Rapporto / Ratio											
		5	7.5	10	15	20	25	30	40	50	60	80	100
CM030	Z	6	4	3	2	2	1	1	1	1	1	1	
	β	27° 04'	18°55'	14°25'	9°44'	7°49'	5°33'	4°54'	3°55'	3°17'	2°43'	2°07'	
CM040	Z	6	4	3	2	2	2	1	1	1	1	1	1
	β	34° 19'	23°54'	18°23'	12°30'	10°03'	8°45'	6°19'	5°04'	4°24'	3°42'	2°52'	2°29'
CM050	Z		4	3	2	2	2	1	1	1	1	1	1
	β		23°49'	18°19'	12°27'	10°03'	8°33'	6°18'	5°04'	4°18'	3°38'	2°52'	2°17'
CM063	Z		4	3	2	2	2	1	1	1	1	1	1
	β		24°31'	18°53'	12°51'	10°29'	8°45'	6°30'	5°17'	4°24'	3°49'	2°59'	2°26'
CM075	Z		4	3	2	2	2	1	1	1	1	1	1
	β		26°38'	20°37'	14°05'	11°19'	9°29'	7°09'	5°43'	4°46'	4°01'	3°17'	2°44'
CM090	Z		4	3	2	2	2	1	1	1	1	1	1
	β		29°05'	22°39'	15°33'	12°50'	10°53'	7°55'	6°30'	5°29'	4°46'	3°45'	3°06'
CM110	Z		4	3	2	2	2	1	1	1	1	1	1
	β		28°15'	21°57'	15°02'	14°42'	12°33'	7°39'	7°29'	6°21'	5°33'	4°27'	3°39'
CM130	Z		4	3	2	2	2	1	1	1	1	1	1
	β		28°43'	22°20'	15°19'	13°47'	11°54'	7°48'	7°00'	6°01'	5°16'	4°08'	3°27'





Rendimento

Efficiency

	n_1 [min ⁻¹]	Rendimento Efficiency	Rapporto / Ratio											
			5	7.5	10	15	20	25	30	40	50	60	80	100
CM030	2800	Rd	94	86	85	80	78	74	70	65	62	56	50	
	1400		90	85	82	77	73	67	65	58	54	50	43	
	900		89	82	80	74	70	64	61	54	50	46	40	
		Rs		66	62	56	50	43	40	36	32	28	25	
CM040	2800	Rd	95	87	86	83	80	76	73	70	68	63	58	53
	1400		92	86	84	81	77	73	70	65	62	58	52	47
	900		90	85	82	78	74	70	66	62	58	54	47	43
		Rs		69	65	59	53	50	47	40	38	32	30	25
CM050	2800	Rd		89	87	84	82	79	76	73	68	65	59	53
	1400			86	84	81	78	75	71	67	63	58	52	47
	900			85	82	78	75	72	67	62	59	55	47	42
		Rs		69	66	58	53	50	46	40	36	34	28	24
CM063	2800	Rd		88	87	84	83	80	77	73	71	66	61	56
	1400			87	86	84	81	77	73	70	66	60	55	50
	900			86	83	80	77	75	70	67	62	57	51	47
		Rs		70	67	59	55	50	47	40	37	35	29	25
CM075	2800	Rd		89	88	86	83	81	78	76	72	70	64	60
	1400			88	86	83	81	78	75	71	67	63	58	53
	900			87	85	82	79	76	72	66	61	59	54	50
		Rs		70	68	60	56	53	47	41	38	35	29	26
CM090	2800	Rd		90	89	87	86	84	80	79	76	74	69	64
	1400			88	87	85	83	82	76	74	72	69	63	58
	900			87	85	83	80	78	73	71	68	64	59	54
		Rs		72	69	62	58	54	48	44	39	37	31	27
CM110	2800	Rd		90	89	88	87	86	81	80	78	76	71	68
	1400			89	87	85	84	83	77	76	74	72	67	62
	900			88	86	83	82	81	75	73	71	68	61	57
		Rs		72	69	62	61	58	48	46	42	39	34	30
CM130	2800	Rd		90	89	88	87	86	82	80	79	77	72	70
	1400			89	88	86	84	83	79	76	75	73	69	64
	900			88	87	84	82	81	77	74	73	70	64	59
		Rs		72	69	62	61	59	49	46	43	39	34	30





Dati tecnici

Technical data

P₁ [kW]	n₂ [min ⁻¹]	M₂ [Nm]	sf	i			P₁ [kW]	n₂ [min ⁻¹]	M₂ [Nm]	sf	i								
0.06							0.12												
56A4 (1400 min ⁻¹)	280	2	8.7	5	CM030	B5/B14	56B2 (2800 min ⁻¹)	560	2	6.2	5	CM030	B5/B14						
	187	3	6.5	7.5				373	3	4.5	7.5			B5/B14					
	140	3	5.1	10				280	3	3.4	10								
	93	5	3.8	15				187	5	2.4	15								
	70	6	3.0	20				140	6	1.9	20								
	56	7	2.9	25				112	8	2.0	25								
	47	8	2.5	30				93	9	1.7	30								
	35	9	1.9	40				70	11	1.3	40								
	28	11	1.6	50				56	13	0.9	50								
	23	12	1.2	60				47	14	0.8	60								
	18	14	0.9	80															
	28	13	3.0	50				CM040	B5	93	9				3.6	30	CM040	B5	
	23	14	2.5	60						70	11				2.8	40			B5
	18	17	1.9	80						56	14				2.0	50			
14	19	1.5	100	47	15	1.8	60												
				35	19	1.3	80												
				28	22	1.0	100												
0.09							63A4 (1400 min ⁻¹)	280	4	4.3	5	CM030	B5/B14						
56A2 (2800 min ⁻¹)	140	5	2.5	20	CM030	B5/B14		187	5	3.3	7.5			B5/B14					
	112	6	2.6	25				140	7	2.5	10								
	93	6	2.3	30				93	9	1.9	15								
	70	8	1.8	40				70	12	1.5	20								
	56	10	1.3	50				56	14	1.5	25								
	47	10	1.1	60				47	16	1.3	30								
35	12	0.9	80	35	19	0.9		40											
56B4 (1400 min ⁻¹)	280	3	5.8	5	CM030	B5/B14		280	4	9.6	5				CM040	B5/B14			
	187	4	4.3	7.5				187	5	7.2	7.5								
	140	5	3.4	10				140	7	5.5	10								
	93	7	2.5	15				93	10	3.8	15								
	70	9	2.0	20				70	13	3.1	20								
	56	10	1.9	25				56	15	2.5	25								
	47	12	1.7	30			47	17	2.6	30									
	35	14	1.3	40			35	21	1.9	40									
	28	17	1.1	50			28	25	1.5	50									
	23	18	0.8	60			23	28	1.3	60									
	18	21	0.6	80			18	34	1.0	80									
	28	19	2.0	50			CM040	B5	14	38	0.8	100	B5/B14						
	23	21	1.7	60					35	22	3.5	40							
	18	26	1.3	80					28	26	2.8	50							
14	29	1.0	100	23	28	2.3			60										
				18	34	1.8			80										
				14	38	1.4	100												
63A6 (900 min ⁻¹)	180	4	4.5	5	CM030	B5/B14	63B6 (900 min ⁻¹)	180	6	3.4	5	CM030		B5/B14					
	120	6	3.2	7.5				120	8	2.4	7.5				B5/B14				
	90	8	2.5	10				90	10	1.9	10								
	60	11	1.8	15				60	14	1.3	15								
	45	13	1.4	20				45	18	1.1	20								
	36	15	1.4	25				36	20	1.1	25								
	30	17	1.3	30															
	23	21	1.0	40															
	45	14	3.1	20				CM040	B5/B14	60	15		3.0			15	CM040	B5/B14	
	36	17	2.6	25						45	19		2.3			20			
	30	19	2.5	30						36	22		2.0			25			
	23	24	1.9	40						30	25		1.9			30			
	18	28	1.5	50						23	32		1.4			40			
	15	31	1.3	60				CM050	B5	18	37		1.1			50			B5/B14
11	36	1.0	80	30	26	3.4	30												
15	32	2.2	60	23	32	2.5	40												
11	36	1.8	80	18	38	2.0	50												
9	40	1.4	100	15	42	1.7	60												
				11	48	1.4	80												
				9	53	1.0	100												





Dati tecnici

Technical data

P_1 [kW]	n_2 [min ⁻¹]	M_2 [Nm]	sf	i			P_1 [kW]	n_2 [min ⁻¹]	M_2 [Nm]	sf	i				
0.18							0.25								
63A2 (2800 min ⁻¹)	560	3	4.2	5	CM030	B5/B14	63B2 (2800 min ⁻¹)	560	4	3.0	5	CM030	B5/B14		
	373	4	3.0	7.5		B5/B14		373	5	2.2	7.5		B5/B14		
	280	5	2.3	10		B5/B14		280	7	1.7	10		B5/B14		
	187	7	1.6	15		B5/B14		187	10	1.2	15		B5/B14		
	140	10	1.3	20		B5/B14		140	13	0.9	20		B5/B14		
	112	11	1.3	25		B5/B14		112	16	1.0	25		B5/B14		
	93	13	1.2	30		B5/B14									
	140	10	2.9	20	CM040	B5/B14		140	14	2.1	20	CM040	B5/B14		
	112	12	2.4	25		B5/B14		112	16	1.7	25		B5/B14		
	93	13	2.4	30		B5/B14		93	19	1.7	30		B5/B14		
	70	17	1.9	40		B5/B14		70	24	1.3	40		B5/B14		
	56	21	1.3	50		B5/B14		56	29	1.0	50		B5/B14		
	47	23	1.2	60		B5/B14									
	56	21	2.5	50	CM050	B5		47	33	1.5	60	CM050	B5		
	47	24	2.1	60		B5		35	40	1.1	80		B5		
35	29	1.6	80	B5		28	45	0.9	100	B5					
28	33	1.2	100	B5											
63B4 (1400 min ⁻¹)	280	6	2.9	5	CM030	B5/B14	71A4 (1400 min ⁻¹)	280	8	4.6	5	CM040	B5/B14		
	187	8	2.2	7.5		B5/B14		187	11	3.5	7.5		B5/B14		
	140	10	1.7	10		B5/B14		140	14	2.7	10		B5/B14		
	93	14	1.3	15		B5/B14		93	21	1.8	15		B5/B14		
	70	18	1.0	20		B5/B14		70	26	1.5	20		B5/B14		
	56	21	1.0	25		B5/B14		56	31	1.2	25		B5/B14		
	47	24	0.8	30		B5/B14		47	36	1.2	30		B5/B14		
								35	44	0.9	40		B5/B14		
	280	6	6.4	5		CM040		B5/B14	70	27	2.7		20	CM050	B5/B14
	187	8	4.4	7.5				B5/B14	56	32	2.2		25		B5/B14
	140	10	3.7	10	B5/B14			47	36	2.3	30	B5/B14			
	93	15	2.5	15	B5/B14			35	46	1.7	40	B5/B14			
	70	19	2.1	20	B5/B14			28	54	1.3	50	B5/B14			
	56	22	1.7	25	B5/B14			23	59	1.1	60	B5/B14			
	47	25	1.7	30	B5/B14			18	71	0.9	80	B5/B14			
	35	32	1.3	40	B5/B14										
28	39	1.0	50	B5/B14	28		56	2.4	50	CM063	B5/B14				
23	43	0.8	60	B5/B14	23		61	2.1	60		B5/B14				
					18	75	1.6	80	B5/B14						
35	33	2.3	40	CM050	B5	14	85	1.4	100		B5/B14				
28	39	1.9	50		B5	23	64	3.0	60		CM075	B5			
23	43	1.5	60		B5	18	79	2.4	80	B5					
18	51	1.2	80		B5	14	90	1.9	100	B5					
14	58	0.9	100		B5										
71A6 (900 min ⁻¹)	180	9	4.9	5	CM040	B5/B14	71B6 (900 min ⁻¹)	180	12	3.5		5	CM040	B5/B14	
	120	12	3.4	7.5		B5/B14		120	17	2.5	7.5	B5/B14			
	90	16	2.7	10		B5/B14		90	22	1.9	10	B5/B14			
	60	22	2.0	15		B5/B14		60	31	1.4	15	B5/B14			
	45	28	1.6	20		B5/B14		45	39	1.1	20	B5/B14			
	36	33	1.3	25		B5/B14									
	30	38	1.3	30		B5/B14		45	40	1.9	20	CM050		B5/B14	
								36	48	1.6	25			B5/B14	
	36	34	2.2	25	CM050	B5/B14		30	53	1.6	30		B5/B14		
	30	38	2.2	30		B5/B14		23	66	1.2	40		B5/B14		
	23	47	1.7	40		B5/B14		18	78	1.0	50		B5/B14		
	18	56	1.3	50		B5/B14									
	15	63	1.1	60		B5/B14		18	82	1.8	50	CM063	B5/B14		
						15		91	1.5	60	B5/B14				
	15	65	2.1	60	CM063	B5/B14		11	108	1.2	80		B5/B14		
	11	78	1.6	80		B5/B14		9	125	1.0	100		B5/B14		
9	90	1.4	100	B5/B14											





Dati tecnici

Technical data

P_1 [kW]	n_2 [min ⁻¹]	M_2 [Nm]	sf	i			P_1 [kW]	n_2 [min ⁻¹]	M_2 [Nm]	sf	i					
0.37							0.55									
71A2 (2800 min ⁻¹)	560	6	4.3	5	CM040	B5/B14	71B2 (2800 min ⁻¹)	560	9	2.9	5	CM040	B5/B14			
	373	8	3.2	7.5		B5/B14		373	12	2.1	7.5		B5/B14			
	280	11	2.6	10		B5/B14		280	16	1.7	10		B5/B14			
	187	16	1.9	15		B5/B14		187	23	1.3	15		B5/B14			
	140	20	1.4	20		B5/B14		CM050	140	31	1.7		20	B5/B14		
	112	24	1.2	25		B5/B14			112	37	1.3		25	B5/B14		
	93	28	1.2	30	B5/B14	93			43	1.4	30	B5/B14				
	CM050	70	37	1.6	40	B5/B14			70	55	1.1	40	B5/B14			
		56	43	1.2	50	B5/B14		CM063	70	55	1.8	40	B5/B14			
		47	49	1.0	60	B5/B14			56	67	1.4	50	B5/B14			
71B4 (1400 min ⁻¹)		280	12	3.1	5	CM040	B5/B14	80A4 (1400 min ⁻¹)	187	24	2.9	7.5	CM050	B5/B14		
	187	16	2.3	7.5	B5/B14		140		32	2.3	10	B5/B14				
	140	21	1.8	10	B5/B14		93		46	1.6	15	B5/B14				
	93	31	1.2	15	B5/B14		70		59	1.2	20	B5/B14				
	70	39	1.0	20	B5/B14		56		70	1.0	25	B5/B14				
	56	46	0.8	25	B5/B14		47		80	1.0	30	B5/B14				
	47	53	0.8	30	B5/B14	CM063	93		47	2.9	15	B5/B14				
	CM050	70	39	1.8	20		B5/B14		70	61	2.2	20	B5/B14			
		56	47	1.5	25		B5/B14		56	72	1.9	25	B5/B14			
		47	54	1.5	30		B5/B14		47	82	1.9	30	B5/B14			
35		68	1.1	40	B5/B14	35	105	1.4	40	B5/B14						
28	80	0.9	50	B5/B14	CM075	28	124	1.1	50	B5/B14						
23	88	0.8	60	B5/B14		23	135	0.9	60	B5/B14						
CM063	28	83	1.6	50		B5/B14	CM075	35	107	2.0	40	B5/B14				
	23	91	1.4	60		B5/B14		28	126	1.7	50	B5/B14				
	18	111	1.1	80		B5/B14		23	142	1.4	60	B5/B14				
	14	126	0.9	100		B5/B14		18	174	1.1	80	B5/B14				
80A6 (900 min ⁻¹)	60	46	1.8	15	CM050	B5/B14		80B6 (900 min ⁻¹)	120	37	2.2	7.5	CM050	B5/B14		
	45	59	1.3	20		B5/B14			90	48	1.7	10		B5/B14		
	36	71	1.1	25		B5/B14			60	68	1.2	15		B5/B14		
	30	79	1.1	30		B5/B14			CM063	45	90	1.6		20	B5/B14	
	CM063	36	74	1.9		25				B5/B14	36	109		1.3	25	B5/B14
		30	82	2.0		30				B5/B14	30	123		1.3	30	B5/B14
		23	105	1.5	40	B5/B14	23			156	1.0	40	B5/B14			
		18	122	1.2	50	B5/B14	CM075		18	178	1.2	50	B5/B14			
	15	134	1.0	60	B5/B14	15			207	1.0	60	B5/B14				
	CM075	18	120	1.8	50	B5/B14			CM090	11	275	1.1	80	B5/B14		
15		139	1.5	60	B5/B14	9		315		0.9	100	B5/B14				
11		170	1.1	80	B5/B14	CM110	11	285		1.9	80	B5				
9		196	1.0	100	B5/B14		9	333		1.5	100	B5				





Dati tecnici

Technical data

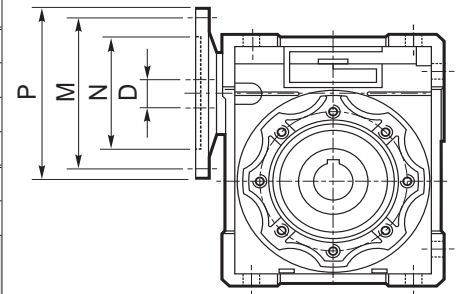
P₁ [kW]	n₂ [min ⁻¹]	M₂ [Nm]	sf	i			P₁ [kW]	n₂ [min ⁻¹]	M₂ [Nm]	sf	i				
0.75							1.1								
80A2 (2800 min ⁻¹)	373	17	2.9	7.5	CM050	B5/B14	80B2 (2800 min ⁻¹)	373	25	2.0	7.5	CM050	B5/B14		
	280	22	2.3	10		B5/B14		280	33	1.6	10		B5/B14		
	187	32	1.7	15		B5/B14		187	47	1.2	15		B5/B14		
	140	42	1.2	20		B5/B14		CM063	140	62	1.6		20	B5/B14	
	112	51	1.0	25		B5/B14			112	75	1.2		25	B5/B14	
	93	58	1.0	30		B5/B14			93	87	1.2		30	B5/B14	
	93	59	1.7	30	CM063	B5/B14			CM075	93	88	1.7	30	B5/B14	
	70	75	1.3	40		B5/B14				70	114	1.3	40	B5/B14	
	56	91	1.0	50		B5/B14				56	135	1.0	50	B5/B14	
	35	131	1.0	80	CM075	B5/B14		CM090		47	167	1.4	60	B5/B14	
	28	153	0.8	100		B5/B14				35	207	1.0	80	B5/B14	
	35	141	1.5	80	CM090	B5/B14				28	240	0.8	100	B5/B14	
	28	164	1.2	100		B5/B14									
	80B4 (1400 min ⁻¹)	187	33	2.1	7.5	CM050			B5/B14	90S4 (1400 min ⁻¹)	187	49	2.6	7.5	CM063
140		43	1.7	10	B5/B14		140		65		2.0	10	B5/B14		
93		62	1.2	15	B5/B14		93	95	1.4		15	B5/B14			
70		80	0.9	20	B5/B14		70	122	1.1		20	B5/B14			
56		96	0.7	25	B5/B14		56	144	0.9		25	B5/B14			
47		109	0.8	30	B5/B14		47	164	1.0		30	B5/B14			
187		33	3.7	7.5	CM063		B5/B14	187	50		3.6	7.5	CM075	B5/B14	
140		44	3.0	10			B5/B14	140	65		2.9	10		B5/B14	
93		64	2.1	15			B5/B14	93	93		2.1	15		B5/B14	
70		83	1.6	20			B5/B14	70	122		1.6	20		B5/B14	
56		98	1.4	25			B5/B14	56	146		1.3	25		B5/B14	
47		112	1.4	30			B5/B14	47	169		1.3	30		B5/B14	
35		143	1.0	40			B5/B14	35	213		1.0	40		B5/B14	
28		169	0.8	50			B5/B14	56	154		2.2	25		CM090	
70		83	2.4	20		CM075	B5/B14	47	171	2.3	30	B5/B14			
56		100	2.0	25			B5/B14	35	222	1.6	40	B5/B14			
47		114	2.0	30	B5/B14		28	270	1.3	50	B5/B14				
35		143	1.5	40	B5/B14		23	311	1.0	60	B5/B14				
28		171	1.2	50	B5/B14		35	228	2.7	40	CM110	B5			
23		193	1.0	60	B5/B14		28	278	2.2	50		B5			
18		237	0.8	80	B5/B14	23	324	1.7	60	B5					
35		151	2.3	40	CM090	B5/B14	18	402	1.2	80		B5			
28		184	1.8	50		B5/B14	14	465	1.0	100		B5			
23		212	1.5	60		B5/B14	23	329	2.7	60		CM130	B5		
18		258	1.1	80		B5/B14	18	414	2.0	80	B5				
14		297	0.9	100		B5/B14	14	480	1.5	100	B5				
18		274	1.8	80		CM110	B5	90L6 (900 min ⁻¹)	120	75	1.9		7.5	CM063	B5/B14
14		317	1.4	100	B5		90		97	1.5	10		B5/B14		
90S6 (900 min ⁻¹)		45	126	1.8	20	CM075	B5/B14		60	140	1.1		15		B5/B14
		36	151	1.4	25		B5/B14		45	184	1.2	20	CM075		B5/B14
		30	172	1.5	30		B5/B14		36	222	0.9	25			B5/B14
		23	210	1.1	40		B5/B14		30	252	1.0	30			B5/B14
		18	271	1.4	50	CM090	B5/B14		23	331	1.2	40			B5/B14
		15	306	1.1	60		B5/B14		18	397	1.0	50	B5/B14		
	11	388	1.4	80	CM110	B5	15		476	1.3	60	CM110	B5		
	9	454	1.1	100		B5	11		570	0.9	80		B5		
									11	598	1.5	80	CM130		B5
									9	689	1.1	100			B5

Dati tecnici

Technical data

P_1 [kW]	n_2 [min ⁻¹]	M_2 [Nm]	sf	i			P_1 [kW]	n_2 [min ⁻¹]	M_2 [Nm]	sf	i		
1.5							1.85						
90S2 (2800 min ⁻¹)	373	34	2.7	7.5	CM063	B5/B14	90LB4 (1400 min ⁻¹)	187	82	1.5	7.5	CM063	B5/B14
	280	45	2.0	10		B5/B14		140	109	1.2	10		B5/B14
	187	64	1.6	15		B5/B14		93	159	0.8	15		B5/B14
	140	85	1.2	20		B5/B14		187	83	2.2	7.5		CM075
	112	104	1.4	25	CM075	B5/B14		140	109	1.8	10	B5/B14	
	93	120	1.3	30		B5/B14		93	157	1.2	15	B5/B14	
	70	156	1.0	40		B5/B14		70	204	1.0	20	B5/B14	
	56	194	1.3	50	CM090	B5/B14		56	246	0.8	25	B5/B14	
	47	227	1.0	60		B5/B14		47	284	0.8	30	B5/B14	
	90L4 (1400 min ⁻¹)	187	67	1.9	7.5	CM063		B5/B14	93	161	2.2	15	CM090
140		88	1.5	10	B5/B14		70	209	1.7	20	B5/B14		
93		129	1.0	15	B5/B14		56	259	1.3	25	B5/B14		
70		166	0.8	20	B5/B14		47	288	1.4	30	B5/B14		
187		68	2.7	7.5	CM075	B5/B14	47	292	2.2	30	CM110	B5	
140		88	2.2	10		B5/B14	35	384	1.6	40		B5	
93		127	1.5	15		B5/B14	28	467	1.3	50		B5	
70		166	1.2	20		B5/B14	23	545	1.0	60		B5	
56		200	1.0	25		B5/B14	23	553	1.6	60		CM130	B5
47		230	1.0	30		B5/B14	18	697	1.2	80			B5
56		210	1.6	25	CM090	B5/B14	14	808	0.9	100	B5		
47		233	1.7	30		B5/B14	35	303	1.2	40	B5/B14		
35		303	1.2	40	B5/B14	28	368	0.9	50	B5/B14			
35		311	2.0	40	CM110	B5	35	311	2.0	40	B5		
28		379	1.6	50		B5	28	379	1.6	50	B5		
23		442	1.3	60		B5	23	442	1.3	60	B5		
18		548	0.9	80		B5	18	548	0.9	80	B5		
100LA6 (900 min ⁻¹)		23	448	2.0	60	CM130	B5	23	448	2.0	60	B5	
		18	565	1.5	80		B5	18	565	1.5	80	B5	
		14	655	1.1	100		B5	14	655	1.1	100	B5	
	120	104	2.0	7.5	CM075	B5/B14	112	158	1.5	25	CM090	B5/B14	
	90	135	1.7	10		B5/B14	93	180	1.7	30		B5/B14	
	60	196	1.2	15		B5/B14	70	237	1.1	40		B5/B14	
	45	255	1.5	20	CM090	B5/B14	187	99	2.8	7.5	CM090	B5/B14	
	36	310	1.2	25		B5/B14	140	129	1.5	10		B5/B14	
	30	349	1.3	30		B5/B14	93	187	1.0	15		B5/B14	
	23	465	1.5	40		B5	187	99	2.8	7.5		B5/B14	
18	565	1.2	50	CM110	B5	140	131	2.3	10	B5/B14			
15	649	1.0	60		B5	93	191	1.8	15	B5/B14			
11	815	1.1	80		B5	70	249	1.4	20	B5/B14			
9	939	0.8	100	CM130	B5	56	308	1.1	25	B5/B14			
					B5	47	342	1.2	30	B5/B14			
					B5	70	252	2.2	20	B5			
					B5	56	311	1.9	25	B5			
					47	347	1.8	30	B5				
					35	456	1.3	40	B5				
					28	555	1.1	50	B5				
					23	648	0.9	60	B5				
					35	456	2.3	40	CM130	B5			
					28	563	1.7	50		B5			
					23	657	1.4	60		B5			
					18	828	1.0	80		B5			
					14	960	0.8	100	B5				

	IEC	N	M	P	D	i																			
						5	7.5	10	15	20	25	30	40	50	60	80	100								
CM030	63B5	95	115	140	11																				
	63B14	60	75	90																					
	56B5	80	100	120	9	B	B	B	B	B	B	B	B	B											
	56B14	50	65	80																					
CM040	71B5	110	130	160	14																				
	71B14	70	85	105																					
	63B5	95	115	140	11	B	B	B	B	B	B	B	B												
	63B14	60	75	90																					
	56B5	80	100	120	9	BS	BS	BS	BS	BS	BS	BS	BS	B	B	B	B								
CM050	80B5	130	165	200	19																				
	80B14	80	100	120																					
	71B5	110	130	160	14		B	B	B	B	B	B													
	71B14	70	85	105																					
	63B5	95	115	140	11	BS	BS	BS	BS	BS	BS	BS	B	B	B	B									
CM063	90B5	130	165	200	24																				
	90B14	95	115	140																					
	80B5	130	165	200	19		B	B	B	B	B	B													
	80B14	80	100	120																					
	71B5	110	130	160	14	BS	BS	BS	BS	BS	BS	BS	B	B	B										
	71B14	70	85	105																					
CM075	100/112B5	180	215	250	28																				
	100/112B14	110	130	160																					
	90B5	130	165	200	24		B	B	B																
	90B14	95	115	140																					
	80B5	130	165	200	19	BS	BS	BS	B	B	B	B													
	80B14	80	100	120																					
	71B5	110	130	160	14				BS	BS	BS	BS	B	B	B	B									
CM090	100/112B5	180	215	250	28																				
	100/112B14	110	130	160																					
	90B5	130	165	200	24		B	B	B	B	B	B													
	90B14	95	115	140																					
	80B5	130	165	200	19	BS	BS	BS	BS	BS	BS	BS	B	B	B										
	80B14	80	100	120																					
CM110	132B5	230	265	300	38																				
	132B14	130	165	200	38																				
	100/112B5	180	215	250	28	B	B	B	B	B															
	90B5	130	165	200	24	BS	BS	BS	BS	B	B	B	B												
	80B5	130	165	200	19						BS	BS	BS	BS	B	B									
CM130	132B5	230	265	300	38																				
	132B14	130	165	200	38																				
	100/112B5	180	215	250	28	B	B	B	B	B	B	B													
	90B5	130	165	200	24	BS	BS	BS	BS	BS	BS	BS	B	B	B	B									



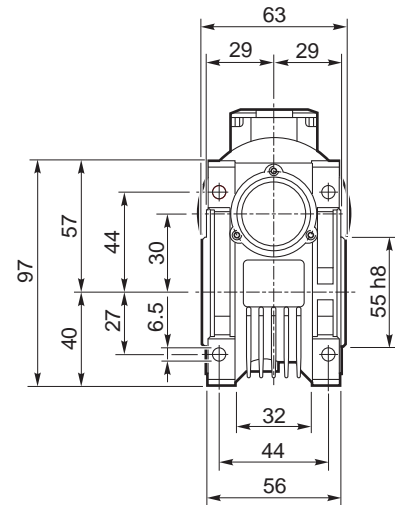
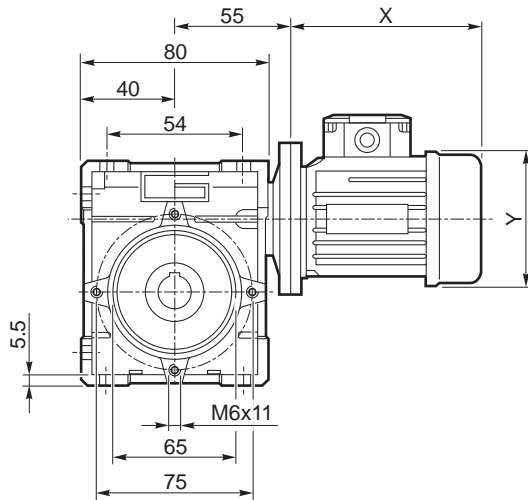
N.B.
Le aree evidenziate in grigio indicano l'applicabilità della corrispondente grandezza motore.
N.B. Grey areas indicate motor inputs available on each size of unit.

B/BS = Boccola di riduzione in acciaio (vedi pag. S6)
B/BS = Metal shaft sleeve (see page S6)

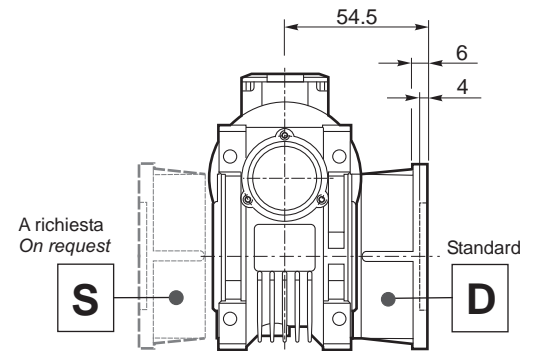
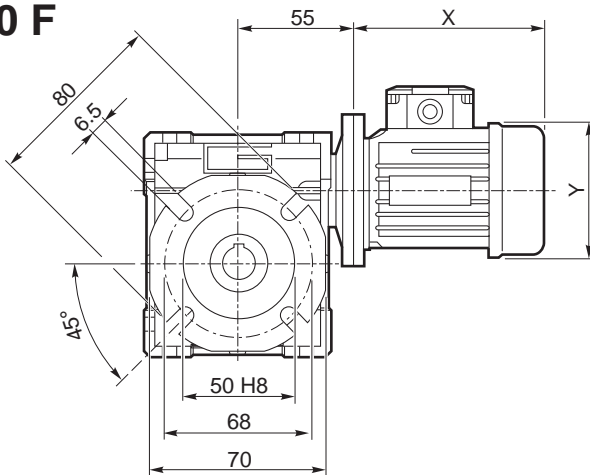
Dimensioni

Dimensions

CM 030 U

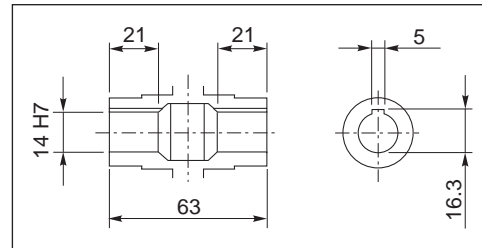
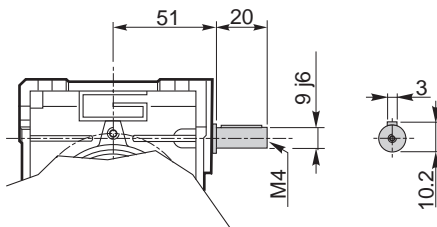


CM 030 F



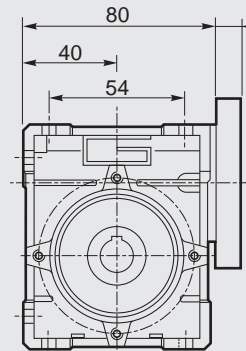
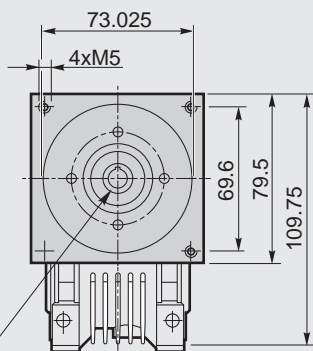
Kg
1.2

CMIS 030 ..



Albero lento cavo / Hollow output shaft

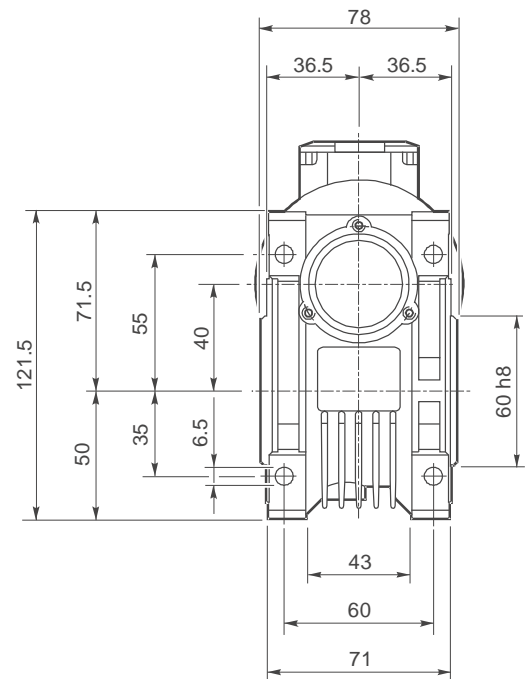
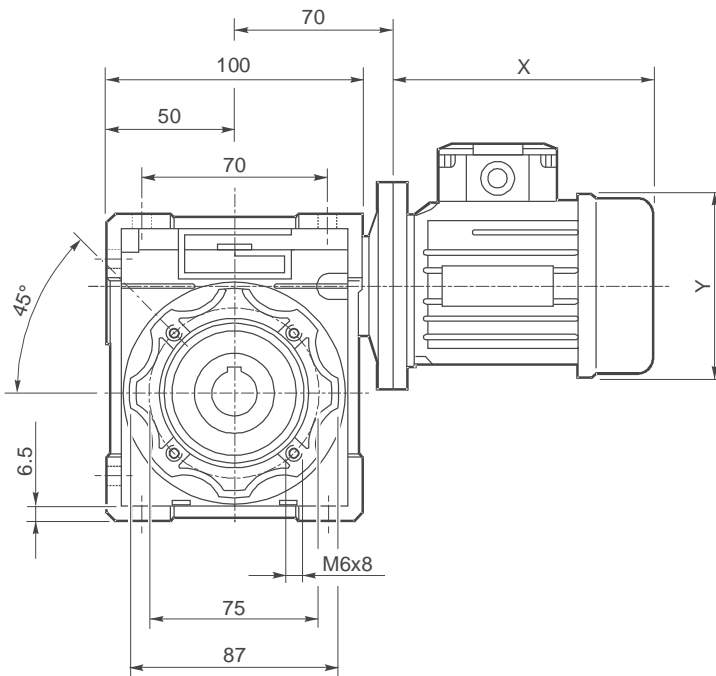
CM 030.. con flangia NEMA34 / with NEMA34 flange



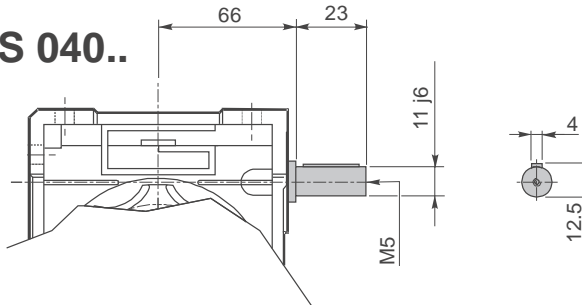
Lo spessore della flangia è variabile in funzione delle diverse lunghezze dell'albero motore.
 Flange's thickness may vary depending on motorshaft's length

Connessione con boccia o giunto in funzione del diametro dell'albero motore.
 Connection with sleeve or coupling depending on motorshaft's diameter.

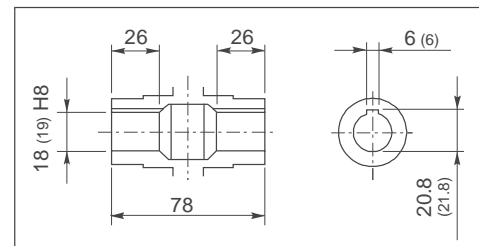
CM 040 U



CMIS 040..

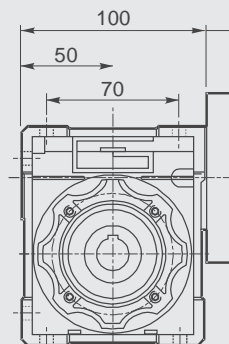
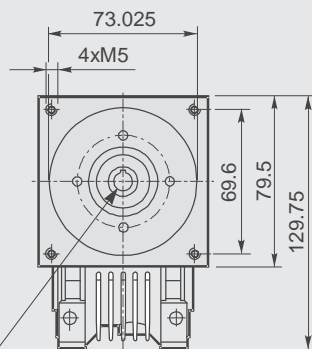


Kg
2.3



Albero lento cavo / Hollow output shaft

CM 040.. con flangia NEMA34 / with NEMA34 flange



Lo spessore della flangia è variabile in funzione delle diverse lunghezze dell'albero motore.

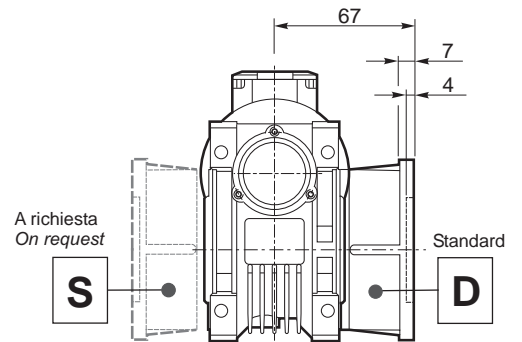
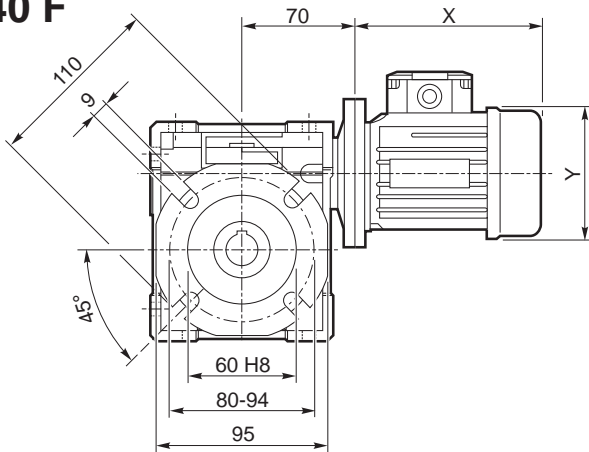
Flange's thickness may vary depending on motorshaft's length

Connessione con boccia o giunto in funzione del diametro dell'albero motore.
Connection with sleeve or coupling depending on motorshaft's diameter.

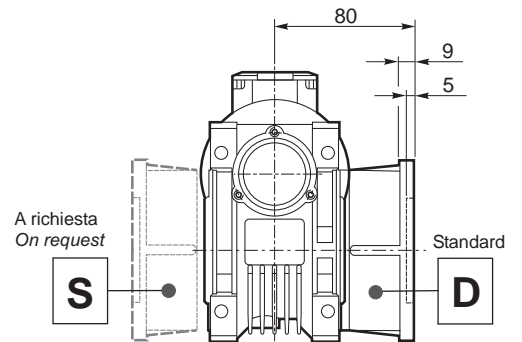
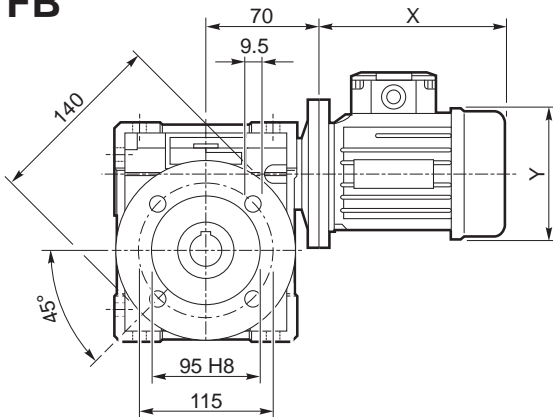
Dimensioni

Dimensions

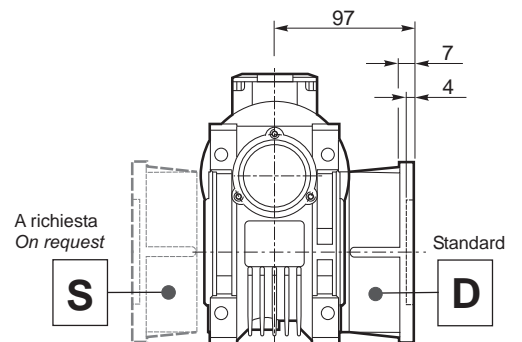
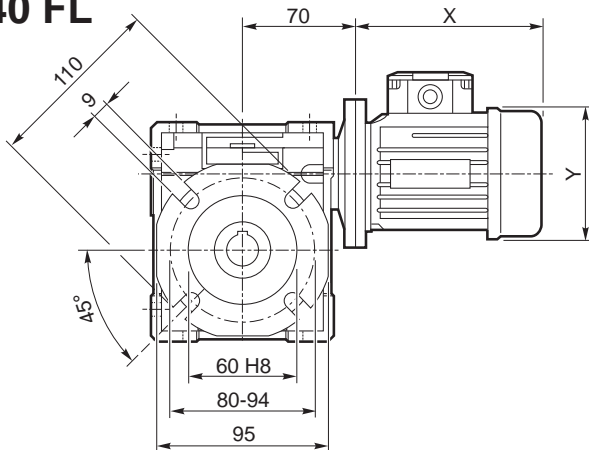
CM 040 F



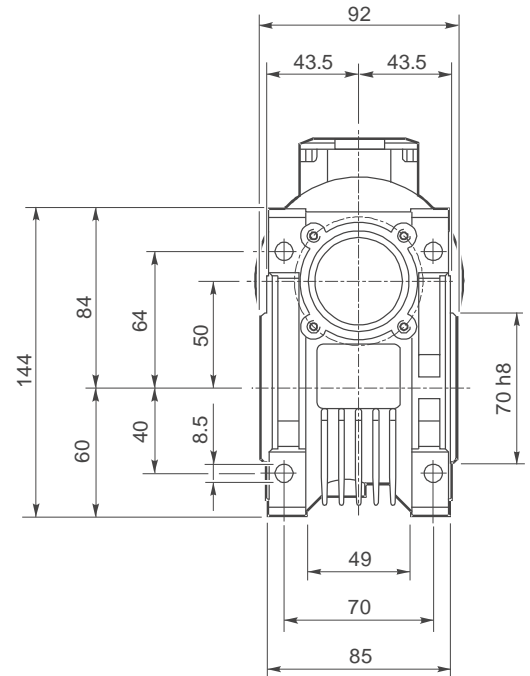
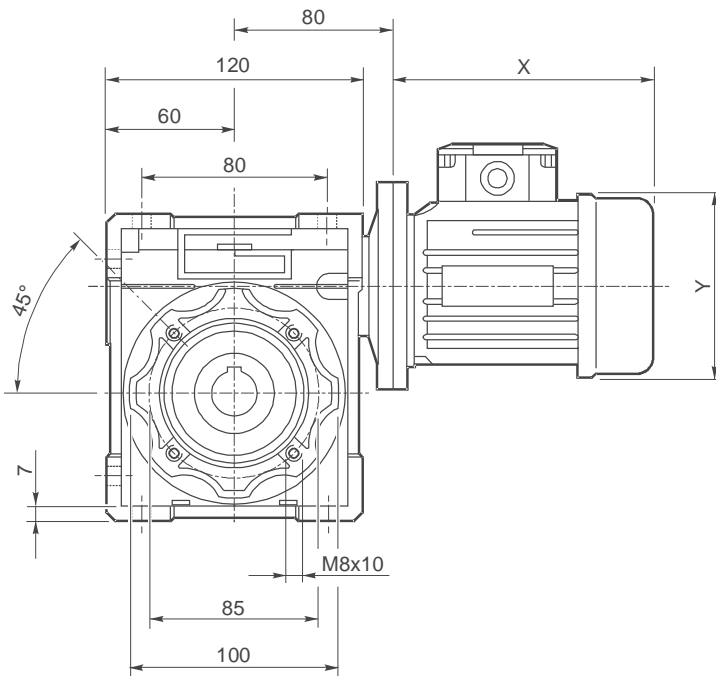
CM 040 FB



CM 040 FL

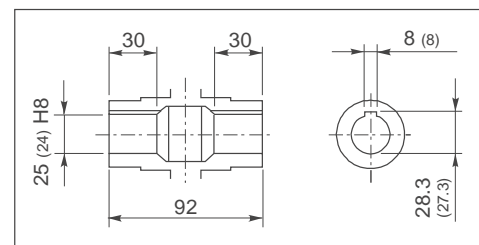
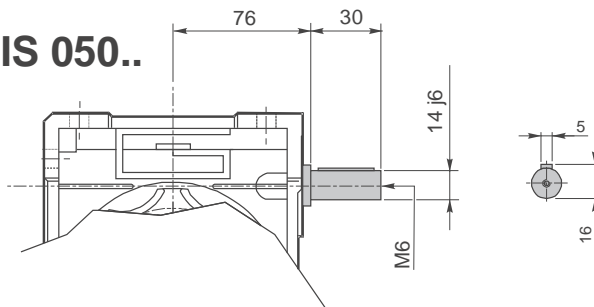


CM 050 U



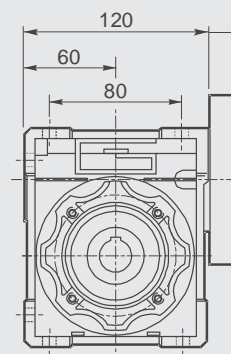
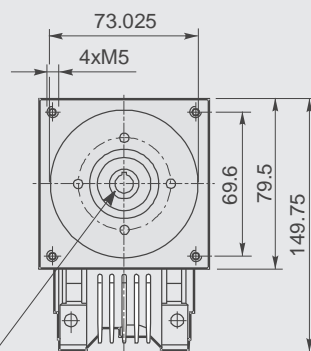
Kg
3.5

CMIS 050..



Albero lento cavo / Hollow output shaft

CM 050.. con flangia NEMA34 / with NEMA34 flange



Lo spessore della flangia è variabile in funzione delle diverse lunghezze dell'albero motore.

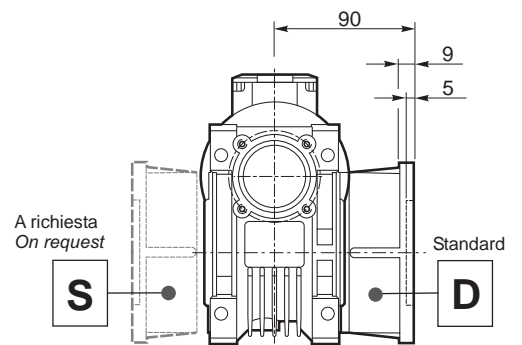
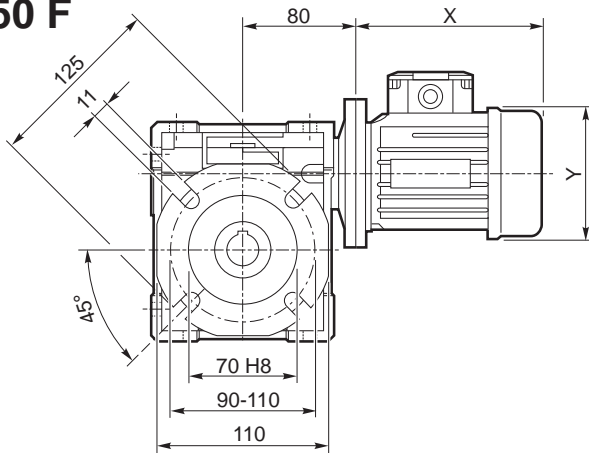
Flange's thickness may vary depending on motorshaft's length

Connessione con boccola o giunto in funzione del diametro dell'albero motore.
Connection with sleeve or coupling depending on motorshaft's diameter.

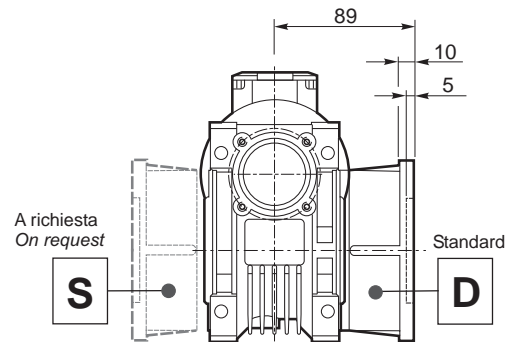
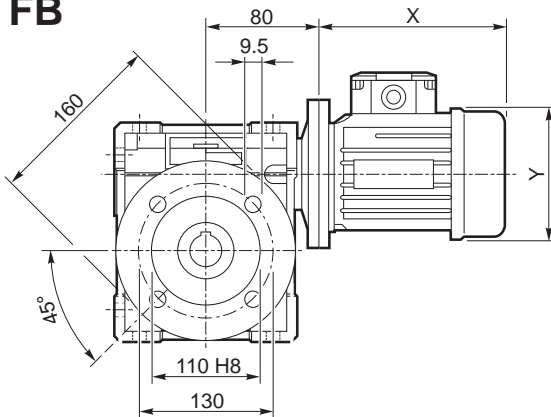
Dimensioni

Dimensions

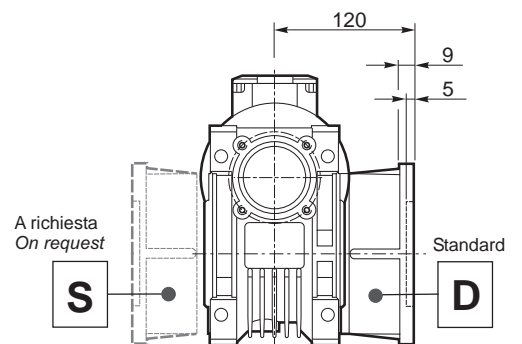
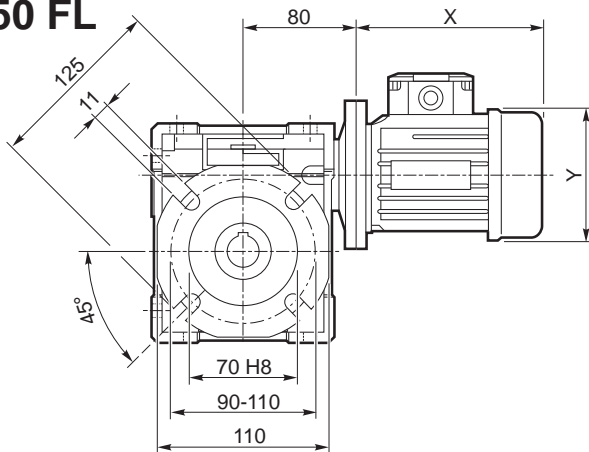
CM 050 F



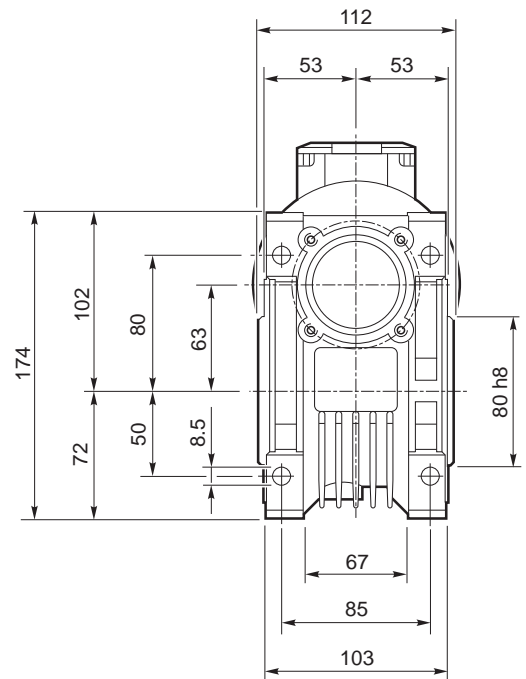
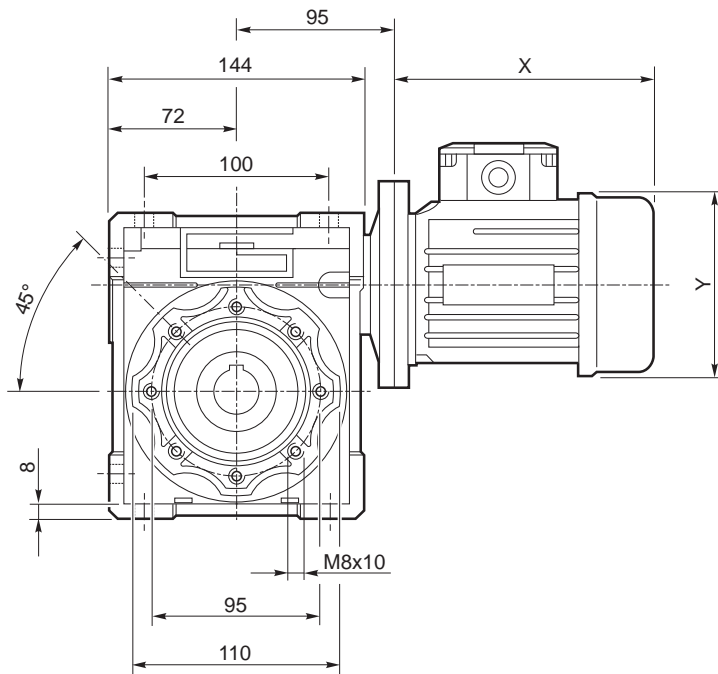
CM 050 FB



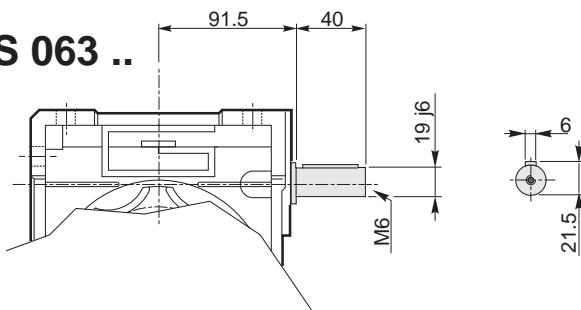
CM 050 FL



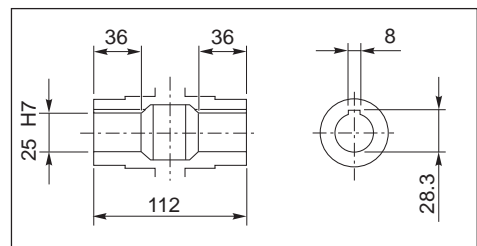
CM 063 U



CMIS 063 ..



Kg
6.2

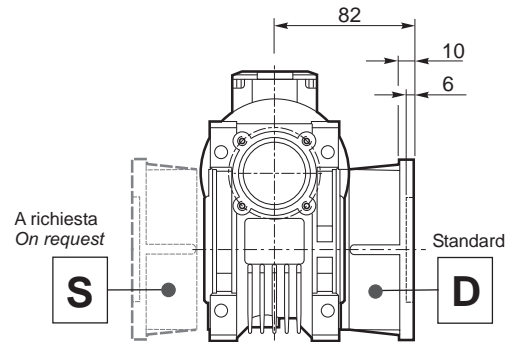
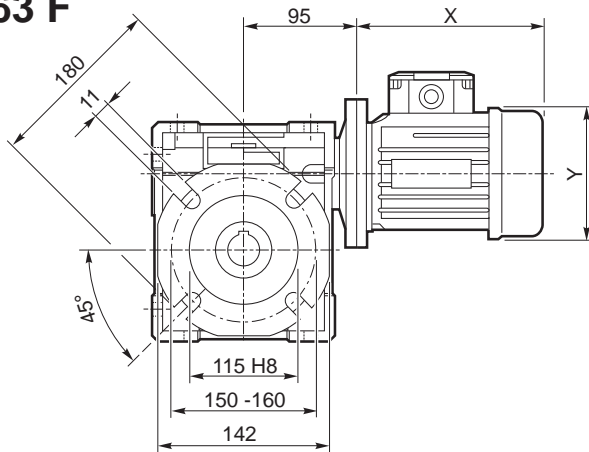


Albero lento cavo / Hollow output shaft

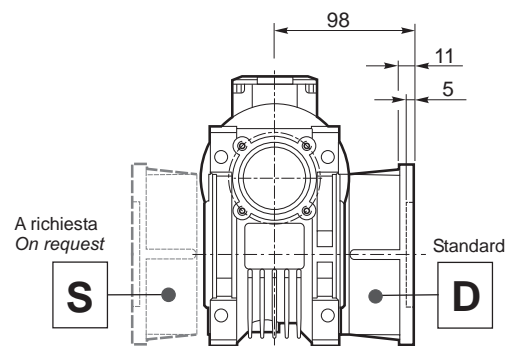
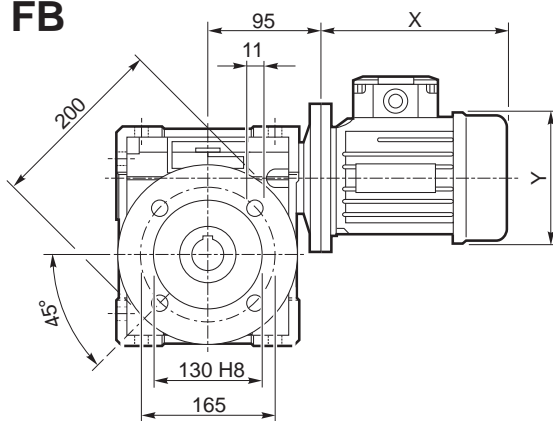
Dimensioni

Dimensions

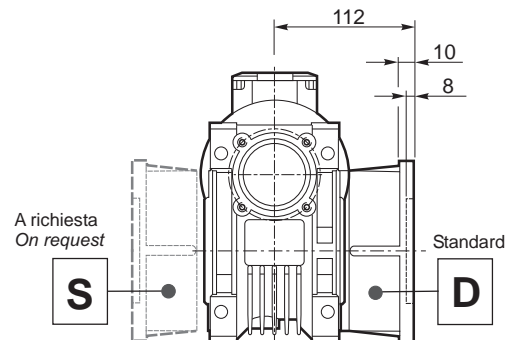
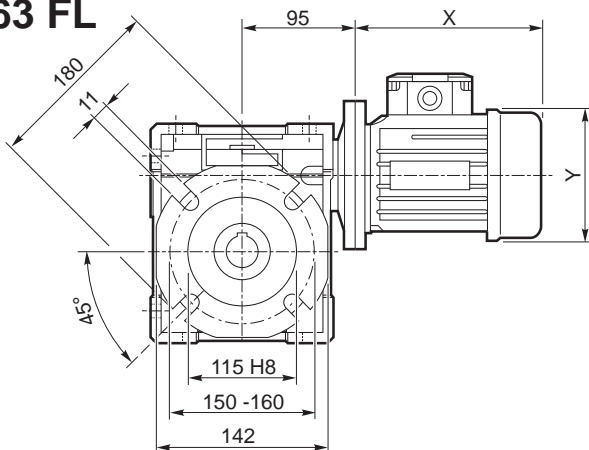
CM 063 F



CM 063 FB



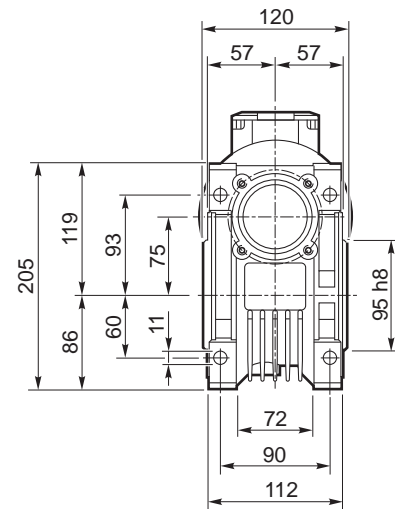
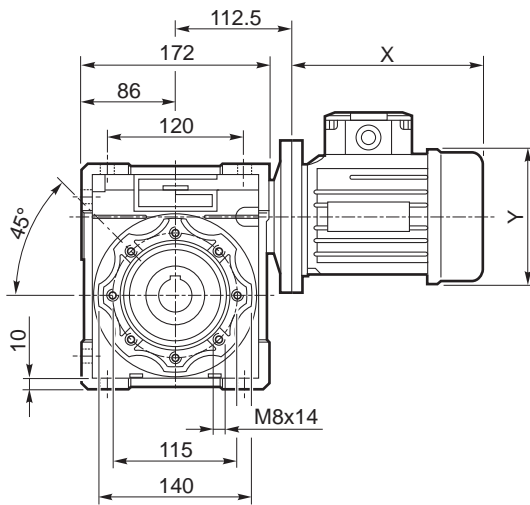
CM 063 FL



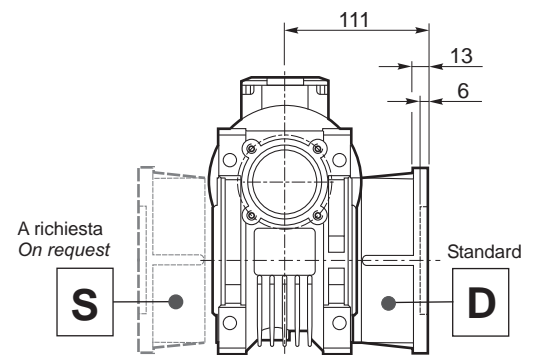
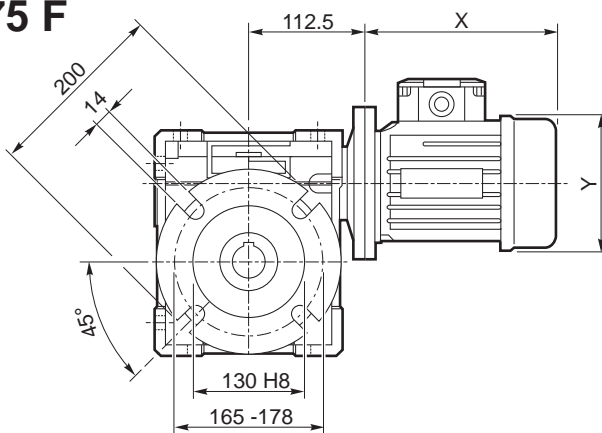
Dimensioni

Dimensions

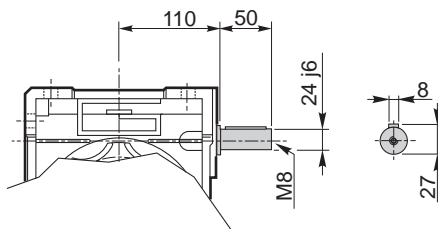
CM 075 U



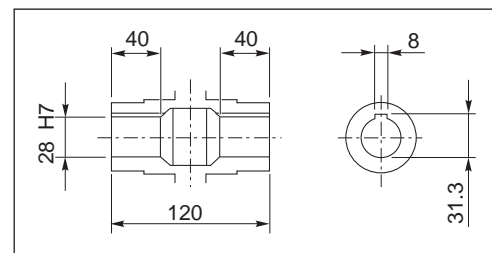
CM 075 F



CMIS 075 ..

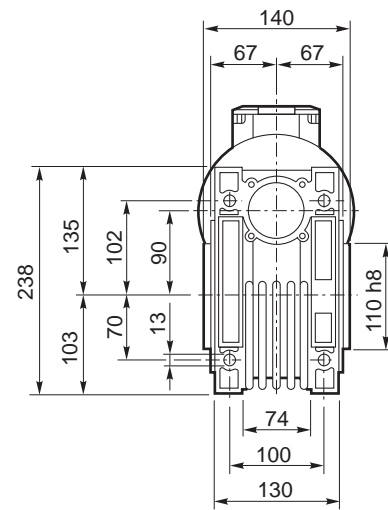
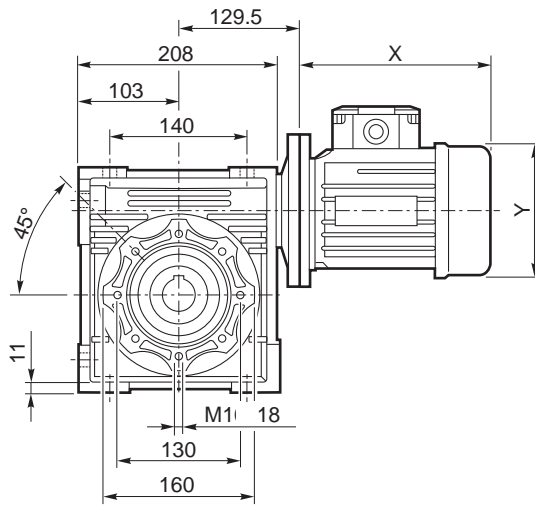


Kg
9.0

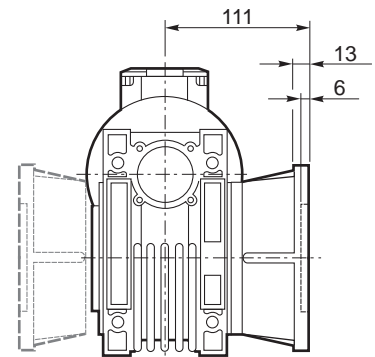
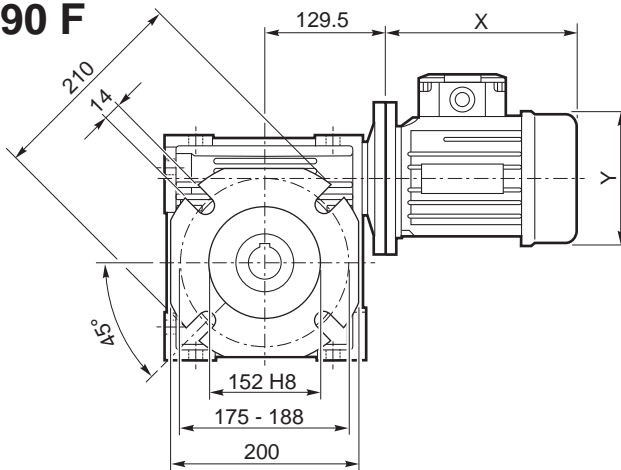


Albero lento cavo / Hollow output shaft

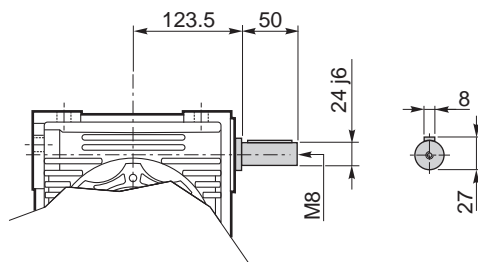
CM 090 U



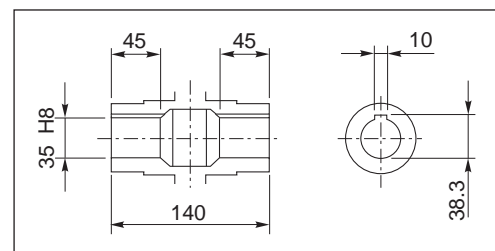
CM 090 F



CMIS 090..

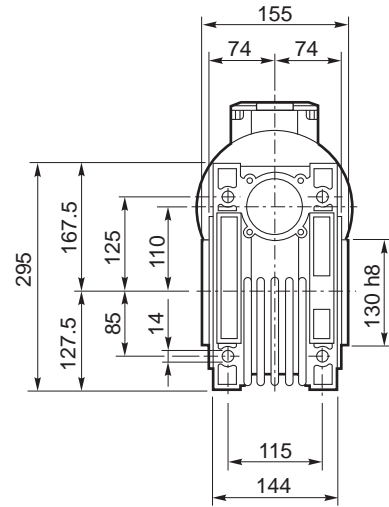
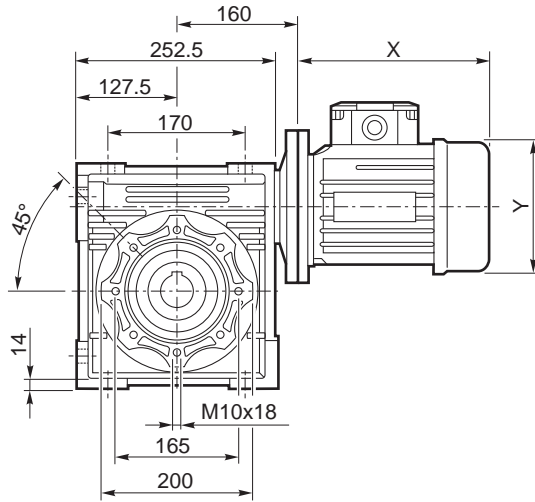


Kg
13

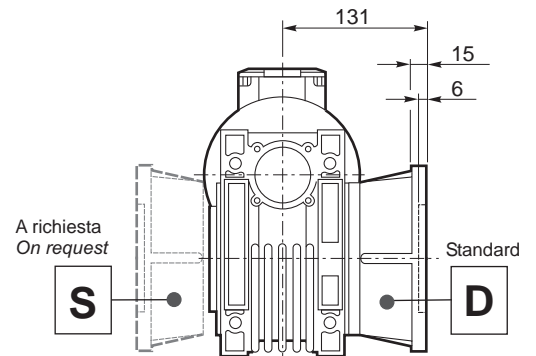
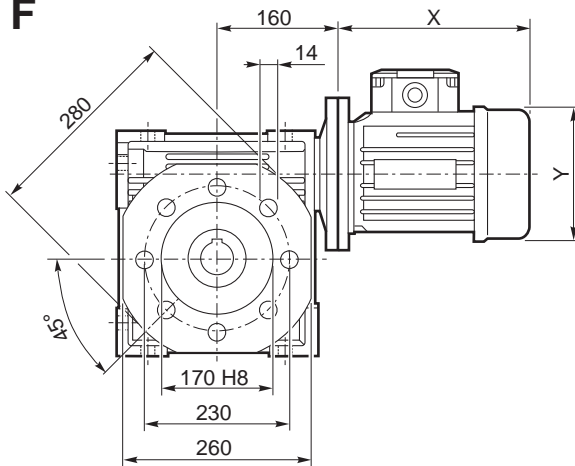


Albero lento cavo / Hollow output shaft

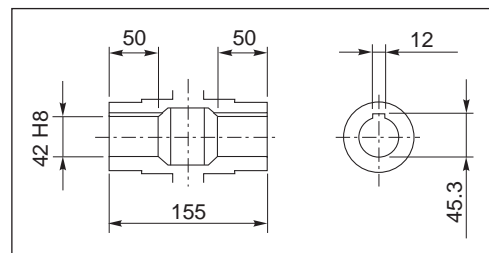
CM 110 U



CM 110 F

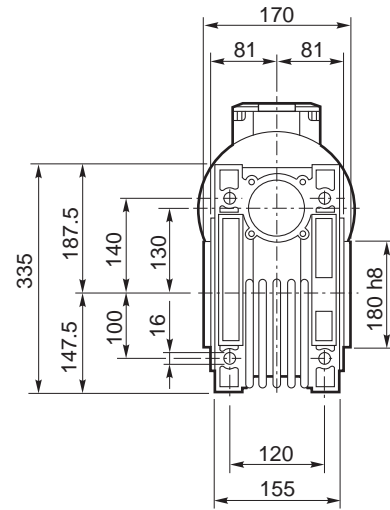
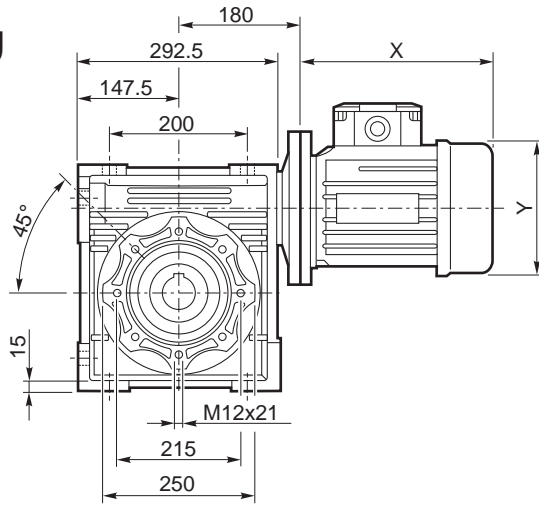


Kg
35

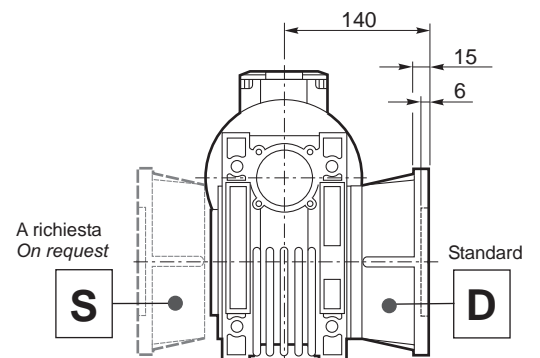
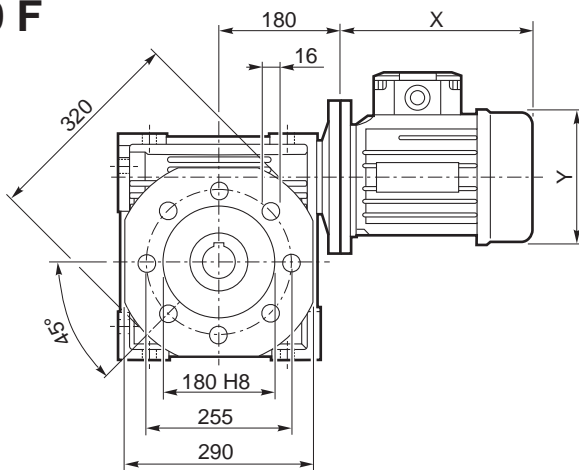


Albero lento cavo / Hollow output shaft

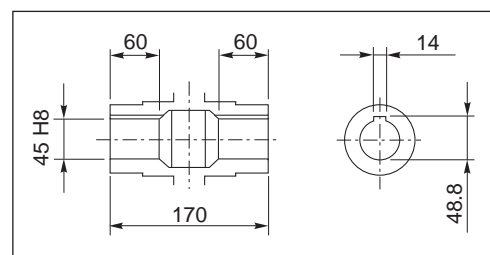
CM 130 U



CM 130 F



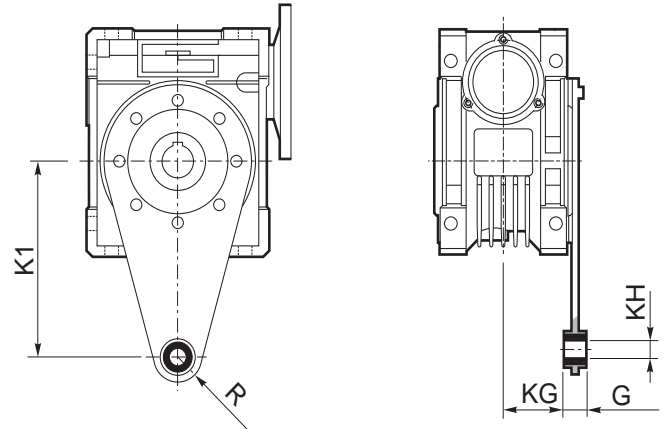
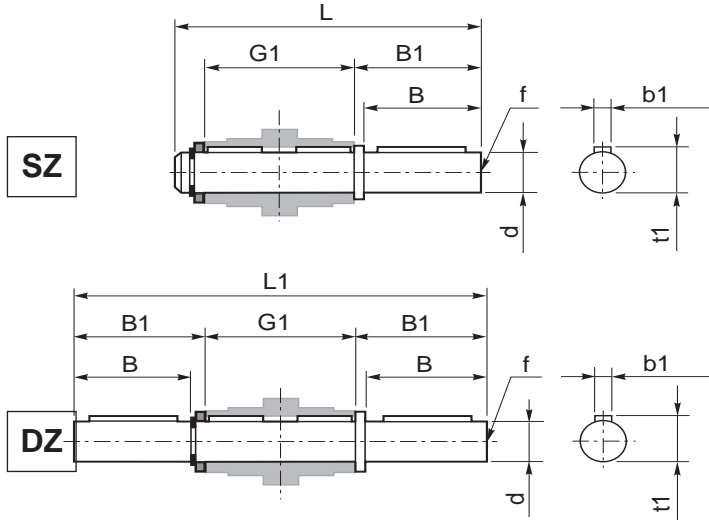
Kg
58



Albero lento cavo / Hollow output shaft

Albero lento / Output shaft

Braccio di reazione / Torque arm



	d _{h6}	B	B1	G1	L	L1	f	b1	t1
CM 030	14	30	32.5	63	102	128	M6	5	16
CM 040	18	40	43	78	128	164	M6	6	20.5
CM 050	25	50	53.5	92	153	199	M10	8	28
CM 063	25	50	53.5	112	173	219	M10	8	28
CM 075	28	60	63.5	120	192	247	M10	8	31
CM 090	35	80	84.5	140	234	309	M12	10	38
CM 110	42	80	84.5	155	249	324	M16	12	45
CM 130	45	80	85	170	265	340	M16	14	48.5

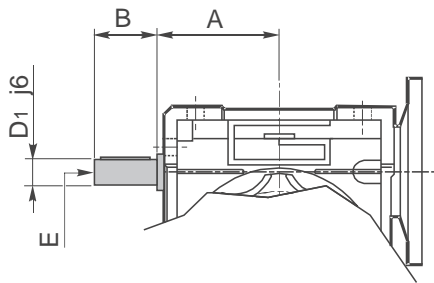
	K1	G	KG	KH	R
CM 030	85	14	23	8	15
CM 040	100	14	31	10	18
CM 050	100	14	38	10	18
CM 063	150	14	47.5	10	18
CM 075	200	25	46.5	20	30
CM 090	200	25	56.5	20	30
CM 110	250	30	62	25	35
CM 130	250	30	69	25	35

Opzioni

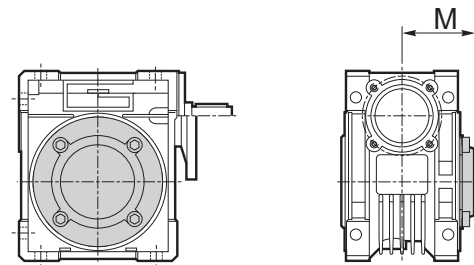
Options

VS - Vite sporgente / Extended input shaft

PC - Coperchio di protezione / Plastic cover



	A	B	D ₁ _{j6}	E
CM 030	45	20	9	M4
CM 040	53	23	11	M5
CM 050	64	30	14	M6
CM 063	75	40	19	M6
CM 075	90	50	24	M8
CM 090	108	50	24	M8



	M
CM 030	47
CM 040	54.5
CM 050	62.5
CM 063	73
CM 075	79
CM 090	94
CM 110	95
CM 130	100